

Item description/product images



Description

Material, version:

Fibreglass reinforced
black plastic housing.
Plastic, watertight glass.

Note:

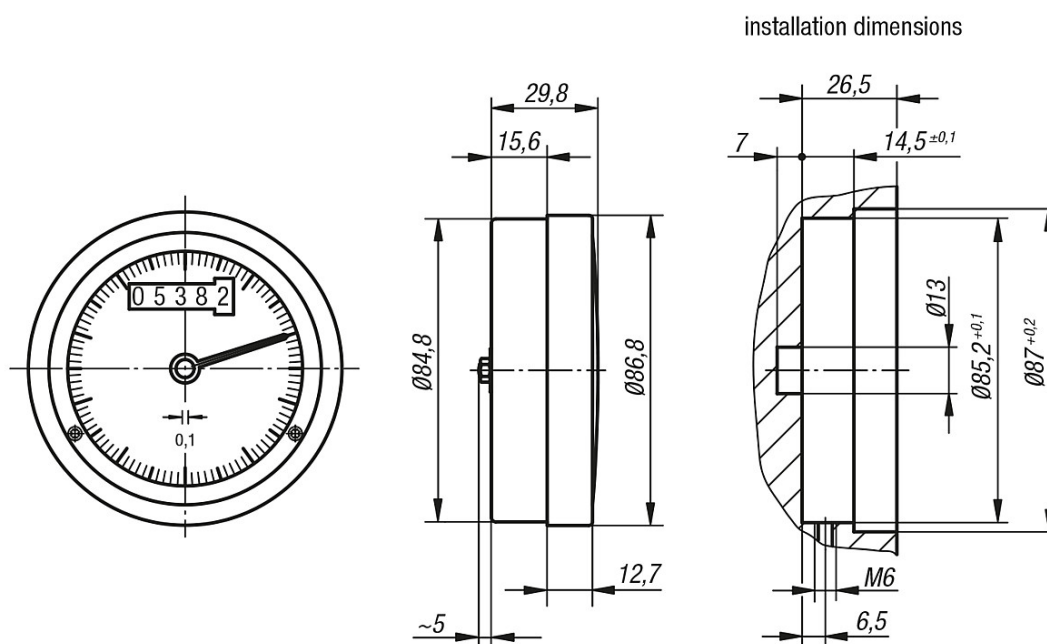
Position indicators, designed for use on horizontal spindles are meant for installation in hand wheels. They allow a direct readout, at a glance of set measurement values such as lengths, flow rates, number of rotations etc. The values are acquired according to the gravity principle. One revolution of the black pointer corresponds to one spindle rotation. In combination with the 5 digit display, a very precise and easy readout obtained.

Suitable hand wheels are articles 20-48-4, 20-48-5 and 20-48-6.

On request:

Other graduations.

Drawings



Overview of items

Order No.	Size	Pitch	Indicator after one rotation	Suitable for
20-50-1	80	2	00002	Position Indicator size 80
20-50-2	80	3	00003	Position Indicator size 80
20-50-3	80	4	00004	Position Indicator size 80
20-50-4	80	5	00005	Position Indicator size 80
20-50-5	80	10	00010	Position Indicator size 80

Overview of items
