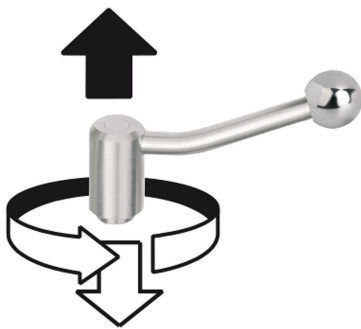


## Item description/product images



disengage  
by lifting



## Description

**Material:**

Steel parts 1.4305.  
plastic ball knob.

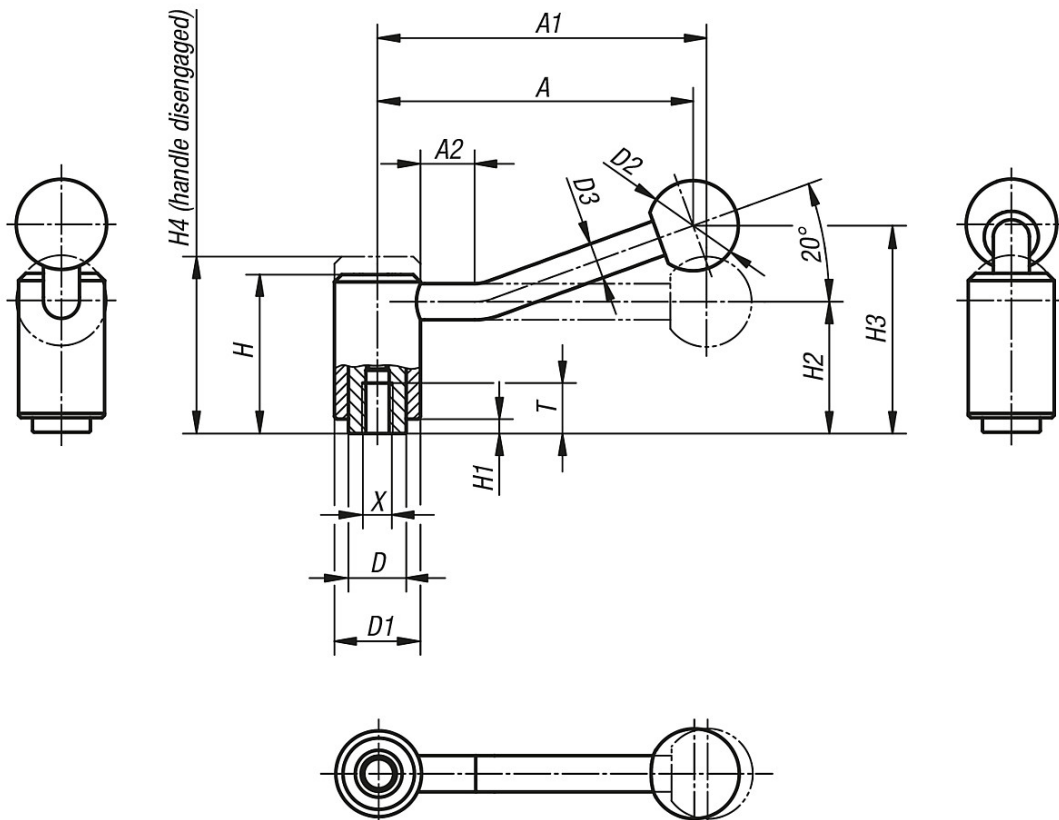
**Version:**

Steel parts, bright.  
Black ball knob, polished.

**On request:**

Other internal threads and custom versions.  
Dimensions "H1", "A" and "A1" are available in other lengths on request at extra charge.  
Ball knob, stainless steel.

## Drawings



## Overview of items

Order No.	Version	Size	X	T	D	D1	D2	D3	H	H1	H2	H4	A1	No. of teeth	Approx. weight kg
30-48-1	0 degrees	1	M8	14	16	24	25	10	44,5	4,5	37	49,5	92	22	0,170
30-48-2	0 degrees	1	M10	14	16	24	25	10	44,5	4,5	37	49,5	92	22	0,170
30-48-3	0 degrees	2	M10	17	19	28	32	12	51,1	5,5	42	57,5	111	24	0,260
30-48-4	0 degrees	2	M12	17	19	28	32	12	51,5	5,5	42	57,5	111	24	0,260
30-48-5	0 degrees	3	M12	23	23	33	32	13	58	6	47	65	134,5	26	0,400
30-48-6	0 degrees	3	M16	23	23	33	32	13	58	6	47	65	134,5	26	0,400
30-48-7	0 degrees	4	M16	27	30	41	32	13	68,5	7,5	56,5	76,5	134	36	0,670
30-48-8	0 degrees	4	M20	27	30	41	32	13	68,5	7,5	56,5	76,5	134	36	0,670

Order No.	Version	Size	X	T	D	D1	D2	D3	H	H1	H2	H3	H4	A	A2	No. of teeth	Approx. weight kg
30-49-1	20 degrees	1	M8	14	16	24	25	10	44,5	4,5	37	58,5	49,5	88	15	22	0,17
30-49-2	20 degrees	1	M10	14	16	24	25	10	44,5	4,5	37	58,5	49,5	88	15	22	0,17
30-49-3	20 degrees	2	M10	17	19	28	32	12	51,5	5,5	42	68,5	57,5	106	15	24	0,26
30-49-4	20 degrees	2	M12	17	19	28	32	12	51,5	5,5	42	68,5	57,5	106	15	24	0,26
30-49-5	20 degrees	3	M12	23	23	33	32	13	58	6	47	81	65	128,5	15	26	0,4
30-49-6	20 degrees	3	M16	23	23	33	32	13	58	6	47	81	65	128,5	15	26	0,4
30-49-7	20 degrees	4	M16	27	30	41	32	13	68,5	7,5	56,5	89,5	76,5	128,5	15	36	0,67
30-49-8	20 degrees	4	M20	27	30	41	32	13	68,5	7,5	56,5	89,5	76,5	128,5	15	36	0,67