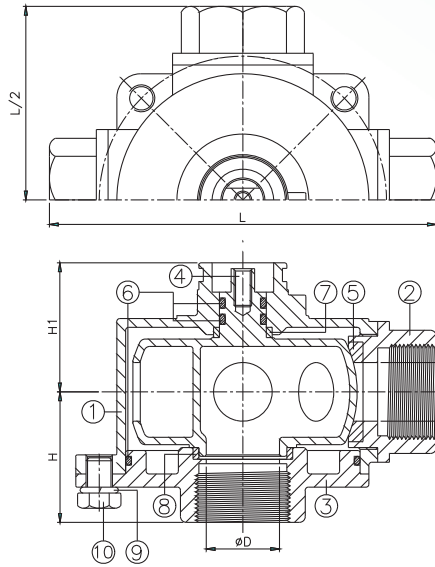




5-WAY SCREWED END BALL VALVE

2061



ITEM	PARTS	MATERIAL
1	BODY	ASTM A351-CF8
2	CAP	
3	COVER	
4	STEM&BALL	
5	SEAT	PTFE
6	O-RING	EPDM
7	BUSH A	PTFE
8	BUSH B	
9	WASHER	AISI 304
10	BOLT	

DN	d	D	H	H1	L	Torque N-M	Weight kg
25	20	25	45	45	132	8.33	2.6

unit : mm

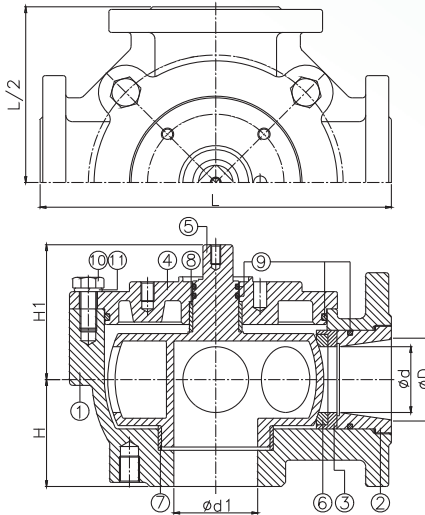
NPS	d	D	H	H1	L	Torque IN-LB	Weight lb
1"	0.79	0.98	1.77	1.77	5.2	73.72	5.73

unit : in



5-WAY FLANGED END BALL VALVE

2062



ITEM	PARTS	MATERIAL
1	BODY	ASTM A351-CF8
2	CAP	
3	SEAT RETAINER	
4	COVER	
5	STEM&BALL	PTFE
6	BALL SEAT	
7	BUSH A	
8	BUSH B	EPDM
9	O-RING	
10	BOLT	AISI 304
11	WASHER	

DN	d	d1	D	H	H1	L	Weight kg	Torque N-M
32	27	32	32	56	81	185	11.2	19.6
40	27	38	38.2	56	81	185	11.6	19.6
50	42	50	50	65	84	211	15.4	39.2
65	52	65	65	70	94	240	20.8	39.2
80	67	75	75	87	109.5	296	33.1	137.2
100	77	100	100	92	114.5	360	45.3	137.2
125	98	125	125	104	132	430	72.5	392

unit : mm

NPS	d	d1	D	H	H1	L	Weight lb	Torque IN-LB
1-1/4"	1.06	1.26	1.26	2.2	3.19	7.28	24.69	173.5
1-1/2"	1.06	1.5	1.5	2.2	3.19	7.28	25.57	173.5
2"	1.65	1.97	1.97	2.56	3.31	8.31	33.95	346.9
2-1/2"	2.05	2.56	2.56	2.76	3.7	9.45	45.86	346.9
3"	2.64	2.95	2.95	3.43	4.31	11.65	72.97	1214.3
4"	3.03	3.94	3.94	3.62	4.51	14.17	99.87	1214.3
5"	3.86	4.92	4.92	4.09	5.2	16.93	159.83	3469.5

unit : in



8F., No.201, Sec. 2, Tiding Blvd., Neihu District, Taipei City 114, Taiwan R.O.C.
 TEL: +886-2-26585800 FAX: +886-2-26582266 / 27997766

[Http://www.haitima.com.tw](http://www.haitima.com.tw)
 Email: haitima@seed.net.tw