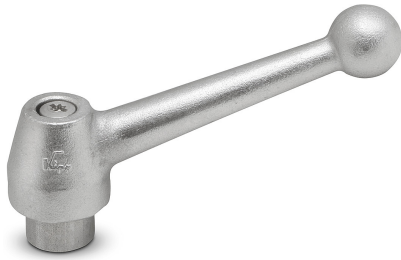


Item description/product images



Description

Material:

Lever stainless steel 1.4308.

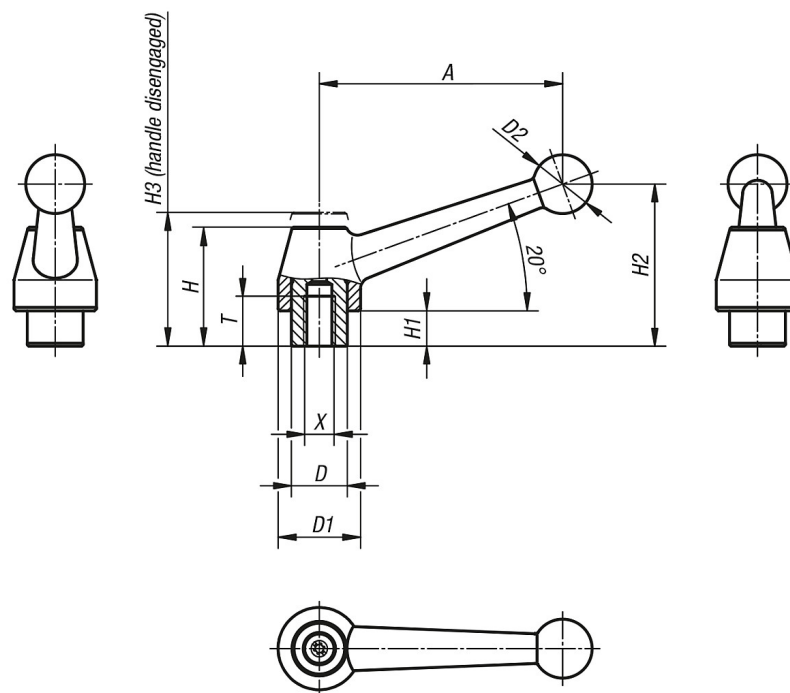
Other parts 1.4305.

Version:

Lever electrolytic polished.

Steel parts bright.

Drawings



Overview of items

Order No.	Size	X	T	D	D1	D2	H	H1	H2	H3	A	No. of teeth
30-28-1	1	M8	17	19	28	20	41	12	54	49	83	24
30-28-2	1	M10	17	19	28	20	41	12	54	49	83	24
30-28-3	1	M12	17	19	28	20	41	12	54	49	83	24