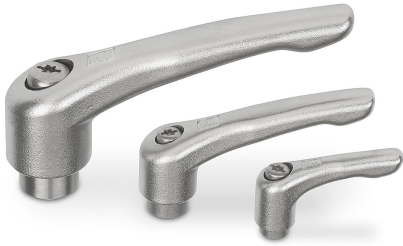


Item description/product images



Description

Material:

Lever investment cast stainless 1.4308.

Other parts stainless 1.4305.

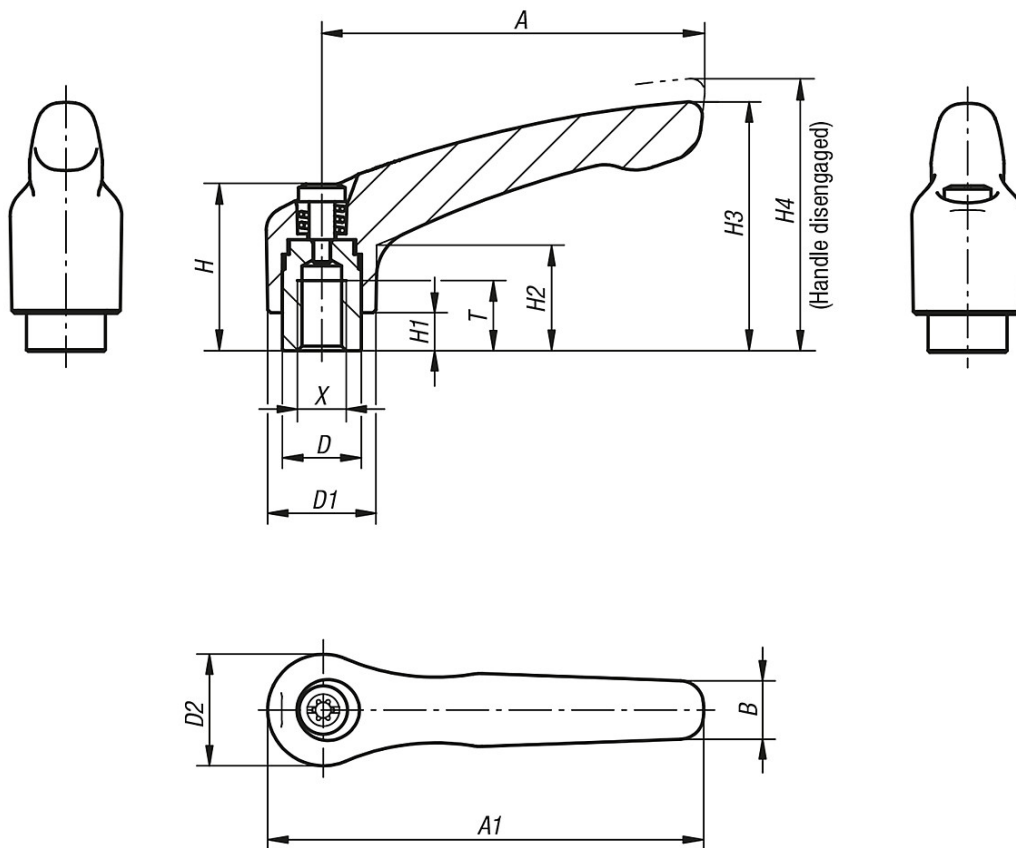
Version:

Handle electrolytic polished.

Steel parts bright.

lift to
disengage

Drawings



Overview of items

Order No.	Size	X	T	D	D1	D2	H	H1	H2	H3	H4	A	A1	B	No. of teeth
30-52-1	1	M5	9	10	13	14	24,5	4	14,5	31	34	40	47	7	16
30-52-2	1	M6	9	10	13	14	24,5	4	14,5	31	34	40	47	7	16
30-52-3	2	M6	12	13,5	18,5	19	28,5	6,5	17,5	42,5	45,5	65	74,5	10	20
30-52-4	2	M8	12	13,5	18,5	19	28,5	6,5	17,5	42,5	45,5	65	74,5	10	20
30-52-5	3	M8	14	16	21	22	37	10	24	54,5	58,5	80	91	11	22
30-52-6	3	M10	14	16	21	22	37	10	24	54,5	58,5	80	91	11	22
30-52-7	4	M10	17	19	27	27,5	43	10	27	63	67,5	95	109	13	24
30-52-8	4	M12	17	19	27	27,5	43	10	27	63	67,5	95	109	13	24