

# APC Max



**aew delford**  
systems

AEW Delford Systems advanced **APC Max** applies all the benefits of APC technology to the cutting of large cross-section bone-in and hard frozen products.

This high output, automatic horizontal bandsaw produces up to 35 portions per minute, enabling a single operator to produce more than 600kg (1320lbs) of weight-controlled portions in one hour. Giving maximum yields from ultra-high speed bandsaw blades, the **APC Max** maintains portion weight accuracy typically to 2–3% standard deviation. No tempering is required – it portions hard frozen product with a superb quality cut – no smear, curl, bone chips or saw dust on the product.

**APC Max** incorporates a scanning system to measure the cross section of each log of product. From this scan the computer decides how the product should be portioned in accordance with the user's priorities.

For example, the user may decide that the main priority is 350g steaks, but if the slice thickness becomes too great, 300g could be the required alternative.

## Features and Benefits

- Cuts a wide variety of frozen and bone-in, meat or fish products to constant weight or constant thickness portions.
- Gravity feed system ensures the highest yields.
- Superb cut quality with no smear, no curl, no bone chips and a clean cut product face.
- High output: a single operator can produce more than 600kg of weight controlled portions in one hour.
- Speed: up to 35 portions per minute at constant weight or at constant thickness.
- 99 product programme memories allow quick product changeover.
- Very easy to use with clear on-screen graphics.
- Automatic feed weight lifting for ease of product loading.
- Robust construction with product contact parts in stainless steel and food grade materials.
- Cutting pattern software allows up to 4 different weights/thicknesses to be programmed within a loin.
- Smartweight cutting patterns allow automatic selection of portion weight to ensure maximum yields and efficiency.
- Quick and easy to clean.

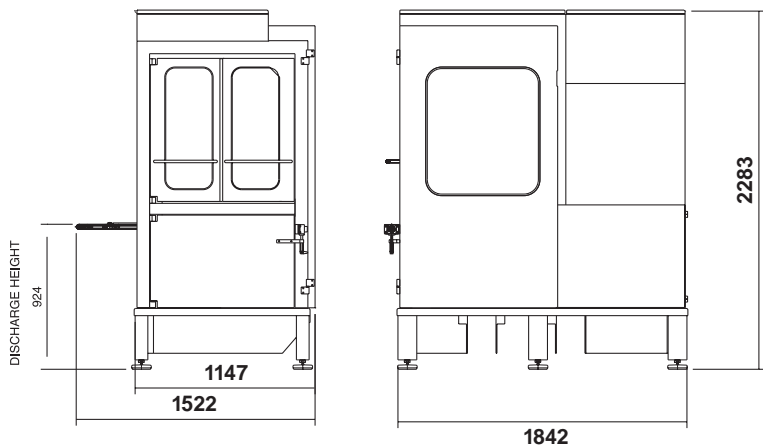
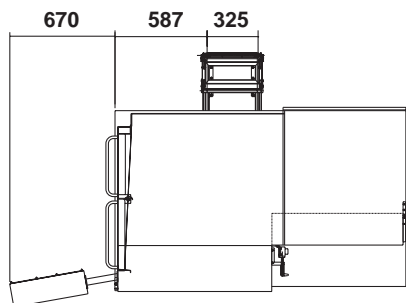
## Integrated Systems

**APC Max** can operate as a stand alone machine or it can be integrated with a range of weigh/grading options.

For further information please logon to:  
[www.aewdelford.com](http://www.aewdelford.com)



# APC Max



DIMENSIONS ARE APPROX ONLY

## Technical Information

**Net Weight:** 1800kg

**Blade Speed:** 70m/sec

**Slice Thickness:** 4–57mm

**Typical Portioning Rate:** up to 35 slices/min

**Product Magazines:** 3

**Maximum Product Size:**

290 x 185 x 725mm

**Product Temperature Range:**

-2°C to -20°C

**Electrical Power:** 15kVA

**Air Supply:** 300 l/min(max) @ 7 bar

All AEW Delford Systems machines carry CE certification.

Distributor

AEW THURNE Ltd  
Pinetrees Road, Norwich  
NR7 9BB, UK

Tel: +44 (0) 1603 700755  
Fax: +44 (0) 1603 700844  
E-mail:  
norwich@aewdelford.com

AEW THURNE Inc.  
1148 Ensell Road,  
Lake Zurich, IL 60047, USA

Tel: 847 726 8000  
Fax: 847 726 1600  
E-mail:  
chicago@aewdelford.com

[www.aewdelford.com](http://www.aewdelford.com)