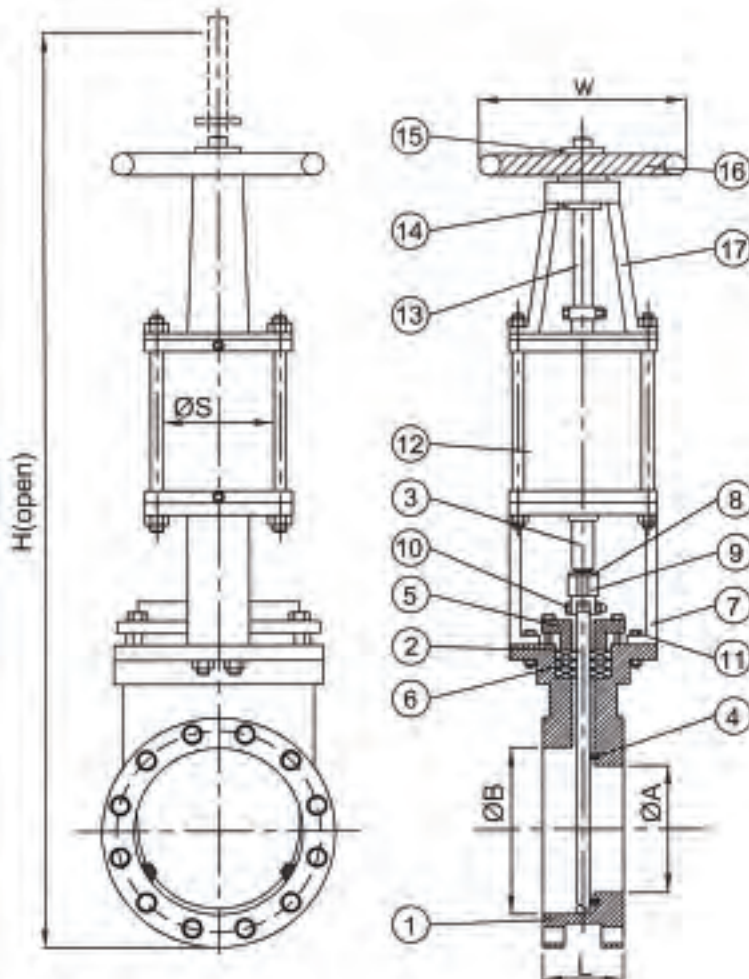


PNEUMATIC ADD MANUAL TYPE KNIFE GATE VALVE

2092-07

CONNECTION RATING:
 JIS 5K JIS 10K JIS7.5K
 ANSI 150#
 DIN PN10 PN16



MSS-SP81 TEST STANDARD:
 BODY TEST: 11kg/cm² (WATER)
 SEAT TEST: 2.8kg/cm² (WATER)
 LEAKAGE: 4 cc/per in. min.

17	YOKE	CAST IRON
16	HAND WHEEL	CAST IRON
15	NUT	CAST IRON
14	YOKE SLEEVE	CAST BRONZE, FCD
13	STEM	SS410
12	ACTUATOR	AL ALLOY, FC
11	BOLT AND NUT	SUS304
10	CONNECTER	SUS304
9	NUT	SUS304
8	POINTER	SUS304
7	YOKE	DUCTILE IRON
6	GLAND PACKING	NON-ASB
5	GLAND	CF8
4	SEAT	TEFLON
3	STEM	SS41+HCr
2	SHUT PLATE	SUS304
1	BODY	CF8, CF8M
NO	SUBJECT	MATERIAL

DIMENSION TABLE : MM

SIZE	L	ØA	ØB	W	H	ØS
2"	48	42	64	190	755	63
2-1/2"	51	57	80	190	855	63
3"	51	72	95	190	975	80
4"	51	95	120	220	1065	80
5"	57	125	148	290	1310	125
6"	57	150	175	290	1445	125
8"	70	195	222	350	1755	150
10"	70	250	275	350	2095	180
12"	76	300	325	400	2365	200
14"	76	350	375	400	2710	250
16"	89	400	430	400	2950	250
18"	89	435	475	500	3375	250
20"	114	480	515	500	3685	300
24"	114	580	620	500	4235	300

MATERIAL:

	BODY	PLATE	SEAT	GLAND PACKING
MATERIAL	FC	SUS304	TEFLON	NON-ASB+PTFE
	WC8	SUS316	METAL	TEFLON
	SCS13	SUS304L	VITON	NON ASBESTOS
	SCS14	SUS316L	EPDM	
	SCS16			

TEMPERATURE:

MATERIAL	TEM. RANGE
SILICON	-20° ~ 150°C
VITON	-20° ~ 250°C
TEFLON	-30° ~ 150°C
NON ASBESTOS	-50° ~ 550°C

(FOR REFERENCE ONLY.)

(FOR REFERENCE ONLY.)