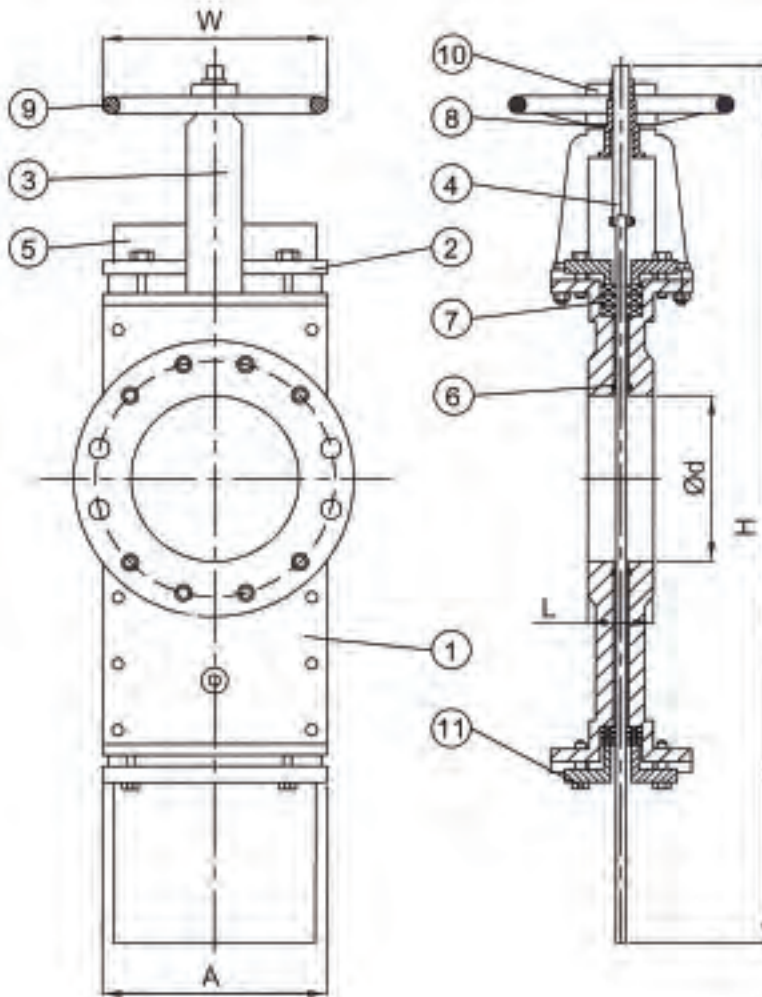


## PNEUMATIC TYPE STAINLESS KNIFE GATE VALVE

### 2092-09

CONNECTION RATING:  
 JIS 5K JIS 10K JIS7.5K  
 ANSI 150#  
 DIN PN10 PN16



MSS-SP81 TEST STANDARD:  
 BODY TEST: 11kg/cm<sup>2</sup> (WATER)  
 SEAT TEST: 2.8kg/cm<sup>2</sup> (WATER)  
 LEAKAGE: 4 cc/per in.min.

11	BOLT	MILD STEEL
10	NUT	FC
9	HAND WHEEL	FC
8	YOKE SLEEVE	BRONZE
7	PACKING	NON-ASB
6	SEAT	PTFE
5	PLATE	SUS304/316
4	STEM	SUS410/304
3	YOKE	FC/FCD
2	GLAND	FC/SUS304
1	BODY	FC/SUS304
NO.	SUBJECT	MATERIAL

( FOR REFERENCE ONLY, )

DIMENSION TABLE : MM

SIZE	L	A	Ød	W	H
4"	50	170	95	220	760
5"	50	200	122	290	870
6"	60	225	140	290	980
8"	60	275	188	395	1220
10"	70	330	240	385	1410
12"	70	390	293	400	1635
14"	70	430	320	400	1930
16"	90	495	360	500	2200
18"	90	600	430	500	2450
20"	110	620	490	500	2575
24"	110	650	545	500	2750

( FOR REFERENCE ONLY, )

#### MATERIAL:

	BODY	PLATE	SEAT	GLAND PACKING
MATERIAL	CF8	SUS304	TEFLON	NON-ASB+PTFE
	CF8M	SUS316	METAL	TEFLON
	CF3M	SUS304L	VITON	NON ASBESTOS
	FC	SUS316L	EPDM	
	FCD			

#### TEMPERATURE:

MATERIAL	TEM. RANGE
SILICON	-20° ~ 150°C
VITON	-20° ~ 250°C
TEFLON	-30° ~ 150°C
NON ASBESTOS	-50° ~ 550°C