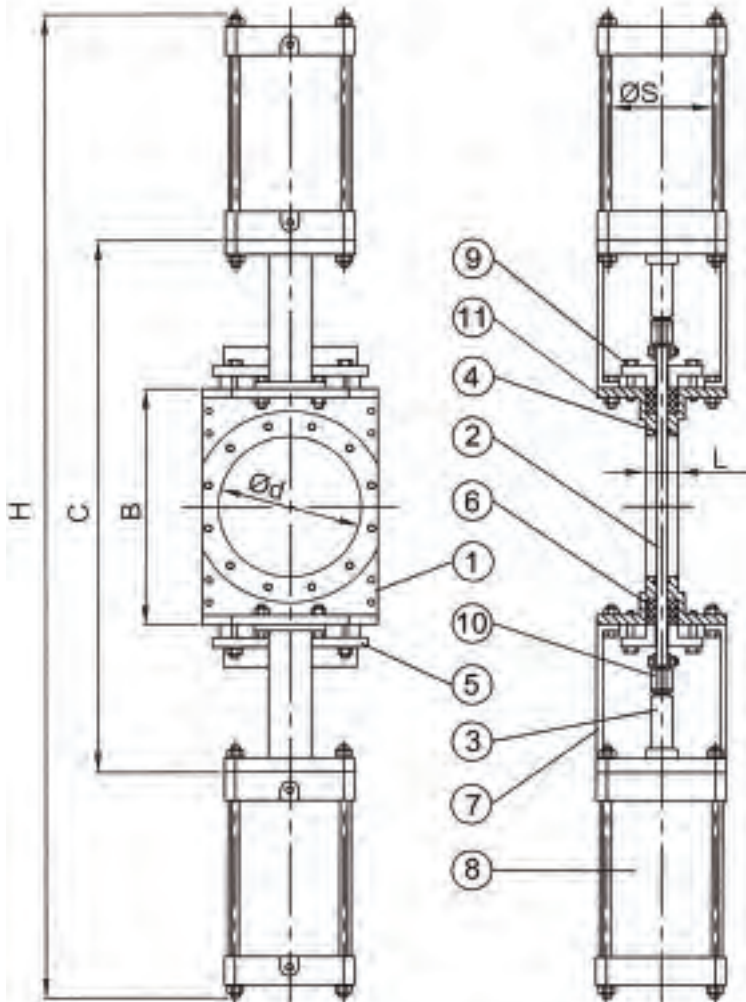


PNEUMATIC TYPE CAST STEEL KNIFE GATE VALVE

2092-14

CONNECTION RATING:
JIS 5K JIS 10K JIS7.5K
ANSI 150#
DIN PN10 PN16



MSS-SP81 TEST STANDARD:
BODY TEST: 11kg/cm² (WATER)
SEAT TEST: 2.8kg/cm² (WATER)
LEAKAGE: 400 cc/per in.min.

11	NUT	MILD STEEL
10	CONNECTER	SUS304
9	BOLT NUT	MILD STEEL
8	ACTUATOR	ALALLOY.FC
7	YOKE	FC FCD
6	GLAND PACKING	NON-ASB
5	GLAND	FC, CF8
4	SEAT	METAL
3	STEM	SS41+HCr
2	PLATE	SUS304 316
1	BODY	FCD / CF8 / CF8M
NO.	SUBJECT	MATERIAL

DIMENSION TABLE : MM

Size	Ød	L	B	C	H	ØS
4"	100	50	300	590	960	100
5"	120	50	325	640	1030	150
6"	150	60	370	720	1130	150
8"	200	80	450	870	1350	180
10"	250	70	550	1020	1560	200
12"	300	70	600	1120	1700	215
14"	350	70	700	1290	1990	250
16"	400	90	800	1580	2330	250
18"	450	110	900	1730	2530	300
20"	500	110	1000	2000	2890	300

(FOR REFERENCE ONLY)

(FOR REFERENCE ONLY)

MATERIAL:

	BODY	PLATE	SEAT	GLAND PACKING
	FC	SUS304		NON-ASB+PTFE
	WCB	SUS316	MATL	NON ASBESTOS
MATERIAL	SCS13	SUS304L		
	SCS14	SUS316L		
	SCS16			

TEMPERATURE:

MATERIAL	TEM. RANGE
SILICON	-20° ~ 150°C
VITON	-20° ~ 250°C
TEFLON	-30° ~ 150°C
NON ASBESTOS	-50° ~ 550°C