

Item description/product images



Description

Material:

Lever stainless steel 1.4308.
Pressure pad black PA 66 GF 35-X.
Hinge pin and nut stainless 1.4305.

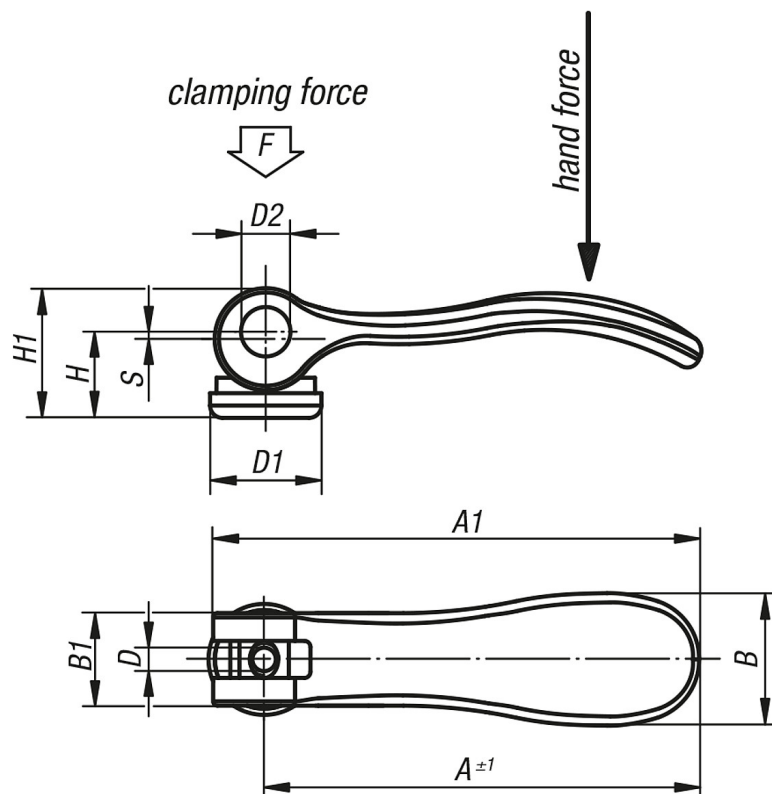
Version:

Lever electrolytic polished.
Fibreglass reinforced plastic pressure pad, black.
Hinge pin and nut bright.

Note:

Plastics are characterized by creeping under load (retardation).

Drawings



Overview of items

Order No.	Size	Internal thread D	D1	D2	B	B1	H	H1	A	A1	Clamping force F (kN)	Hand force N	Stroke S
30-66-1	1	M5	18	9	21,5	15	14,5	22	70,4	79,2	4	120	1,2
30-66-2	1	M6	18	9	21,5	15	14,5	22	70,4	79,2	4	120	1,2
30-66-3	2	M8	27	11	33,2	24	18	28,5	96	108	8	350	1,5

Overview of items
