

Item description/product images

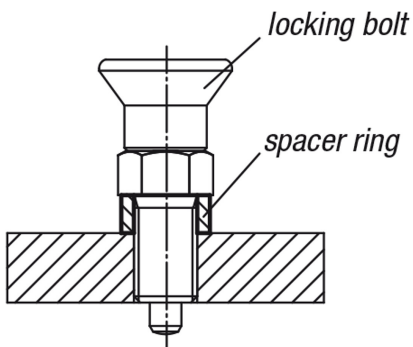


**Description**

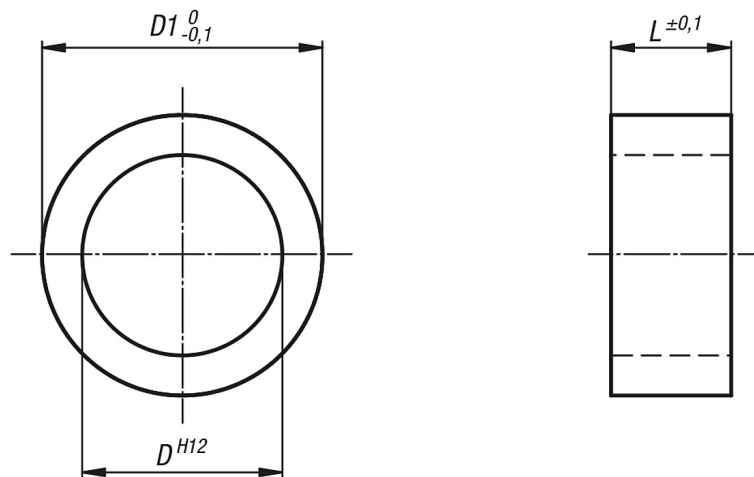
**Material:**  
Aluminium.

**Version:**  
Bright.

**Note:**  
The spacer rings allow the indexing plunger thread lengths to be adjusted to suit the material wall thickness.



Drawings



Overview of items

Order No.	D	D1	L
30-69-1	8	11	2
30-69-2	8	11	3
30-69-3	8	11	4
30-69-4	8	11	6
30-69-5	8	11	8
30-69-6	10	14	2
30-69-7	10	14	3
30-69-8	10	14	4
30-69-9	10	14	6
30-69-10	10	14	8
30-69-11	12	15	2

**Overview of items**

---

<b>Order No.</b>	<b>D</b>	<b>D1</b>	<b>L</b>
30-69-12	12	15	4
30-69-13	12	15	5
30-69-14	12	15	6
30-69-15	12	15	8
30-69-16	12	17	2
30-69-17	12	17	4
30-69-18	12	17	5
30-69-19	12	17	6
30-69-20	12	17	8
30-69-21	16	21	4
30-69-22	16	21	5
30-69-23	16	21	6
30-69-24	16	21	8
30-69-25	16	21	10