

## Item description/product images



## Description

**Material:**

Stainless steel 1.4305.

**Version:**

Bright.

**Note:**

Ball locking pins are used for quick and easy fastening and joining of parts and workpieces. The two balls are unlocked when the push button is pressed and the pin can be pushed through holes in the parts to be joined. When the button is released the balls are locked and the connection is safe and permanent. Corrosion resistant. Includes a hole for a safety cable.

Double shear force (F) = S • Tau aB max.

**Temperature range:**

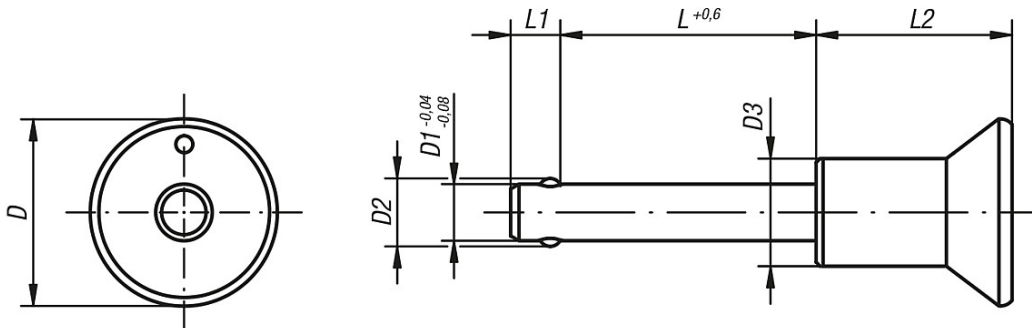
max. +250 °C.

**Accessory:**

Keyring 30-27-1/2/3

Safety cable with loop 30-27-...

## Drawings



## Overview of items

Order No.	D	D1	D2	D3	L	L1	L2	Receiving hole H11	Shearing force double shear max.kN
30-26-1	25	5	5,5	14	10	6	26,5	5	15
30-26-2	25	5	5,5	14	15	6	26,5	5	15
30-26-3	25	5	5,5	14	20	6	26,5	5	15
30-26-4	25	5	5,5	14	25	6	26,5	5	15
30-26-5	25	5	5,5	14	30	6	26,5	5	15
30-26-6	25	6	7	14	10	7	26,5	6	22
30-26-7	25	6	7	14	15	7	26,5	6	22
30-26-8	25	6	7	14	20	7	26,5	6	22
30-26-9	25	6	7	14	25	7	26,5	6	22
30-26-10	25	6	7	14	30	7	26,5	6	22
30-26-11	25	6	7	14	35	7	26,5	6	22
30-26-12	25	6	7	14	40	7	26,5	6	22
30-26-13	25	6	7	14	45	7	26,5	6	22
30-26-14	25	6	7	14	50	7	26,5	6	22
30-26-15	25	8	9,5	14	20	8	26,5	8	38

## Overview of items

Order No.	D	D1	D2	D3	L	L1	L2	Receiving hole H11	Shearing force double shear max.kN
30-26-16	25	8	9,5	14	25	8	26,5	8	38
30-26-17	25	8	9,5	14	30	8	26,5	8	38
30-26-18	25	8	9,5	14	35	8	26,5	8	38
30-26-19	25	8	9,5	14	40	8	26,5	8	38
30-26-20	25	8	9,5	14	45	8	26,5	8	38
30-26-21	25	8	9,5	14	50	8	26,5	8	38
30-26-22	33	10	12	19	20	9	34,6	10	60
30-26-23	33	10	12	19	25	9	34,6	10	60
30-26-24	33	10	12	19	30	9	34,6	10	60
30-26-25	33	10	12	19	35	9	34,6	10	60
30-26-26	33	10	12	19	40	9	34,6	10	60
30-26-27	33	10	12	19	45	9	34,6	10	60
30-26-28	33	10	12	19	50	9	34,6	10	60
30-26-29	33	10	12	19	60	9	34,6	10	60
30-26-30	33	12	14,5	19	25	10	34,6	12	86
30-26-31	33	12	14,5	19	30	10	34,6	12	86
30-26-32	33	12	14,5	19	35	10	34,6	12	86
30-26-33	33	12	14,5	19	40	10	34,6	12	86
30-26-34	33	12	14,5	19	45	10	34,6	12	86
30-26-35	33	12	14,5	19	50	10	34,6	12	86
30-26-36	33	12	14,5	19	60	10	34,6	12	86
30-26-37	33	12	14,5	19	70	10	34,6	12	86
30-26-38	33	12	14,5	19	80	10	34,6	12	86