

## Item description/product images



## Description

## Material:

Body stainless 1.4305

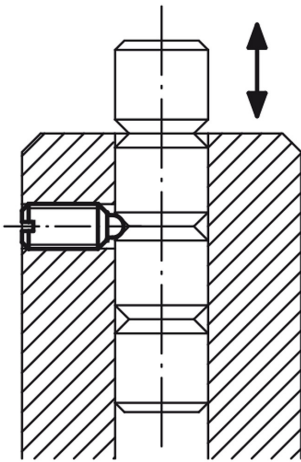
Pin stainless 1.4304

Spring stainless 1.4310

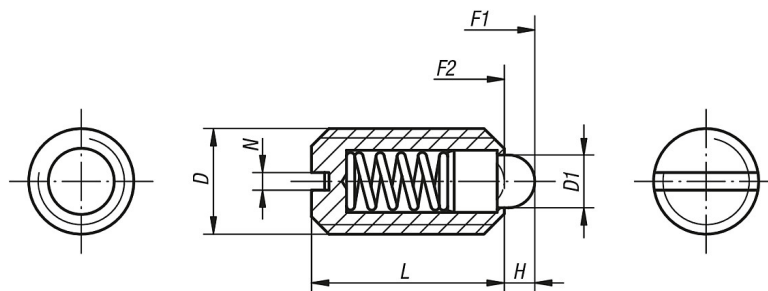
## Version:

Bright, pin hardened.

column locking



## Drawings



## Overview of items

Order No.	D	D1	L	H	N	Spring force initial pressure F1 approx. N	Spring force final pressure F2 approx. N
30-5-1	M4	1,8	9	1,5	0,6	6	20
30-5-2	M5	2,4	12	2	0,8	6	20
30-5-3	M6	2,7	14	2	1	7	20
30-5-4	M8	4	16	2	1,2	15	30
30-5-5	M10	4,5	19	2,5	1,6	20	35
30-5-6	M12	6	22	3,5	2	30	55
30-5-7	M16	8,5	24	4,5	2,5	45	100
30-5-8	M20	10	30	6,5	2,5	60	120

**Overview of items**

---