

Item description/product images



Description

Material:

Body stainless 1.4305

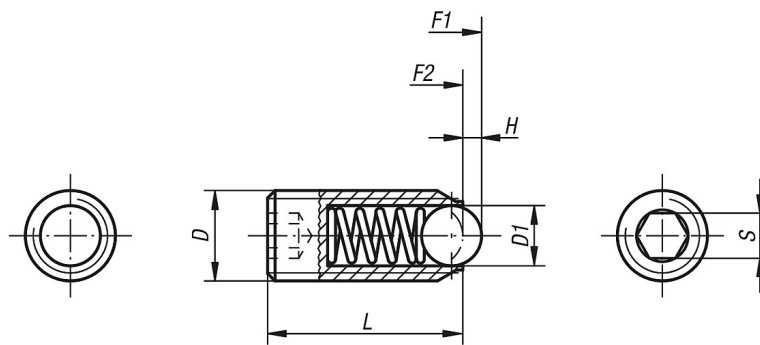
Ball stainless 1.4034

Spring stainless 1.4310

Version:

Bright. Ball hardened.

Drawings



Overview of items

Order No.	D	D1	L	H	S	Spring force initial pressure F1 approx. N	Spring force final pressure F2 approx. N
30-6-1	M3	1,5	9	0,4	1,5	1,5	3
30-6-2	M4	2,5	10	0,8	2	4	10
30-6-3	M5	3	14	0,9	2,5	6	11
30-6-4	M6	3,5	15	1	3	9	13
30-6-5	M8	5	18	1,5	4	15	30
30-6-6	M10	6	23	2	5	20	35
30-6-7	M12	8	26	2,5	6	30	55
30-6-8	M16	10	33	3,5	8	65	125
30-6-9	M20	12	43	4,5	10	80	160
30-6-10	M24	15	48	5,5	12	90	180