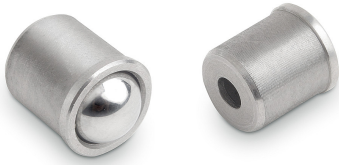


Item description/product images



Description

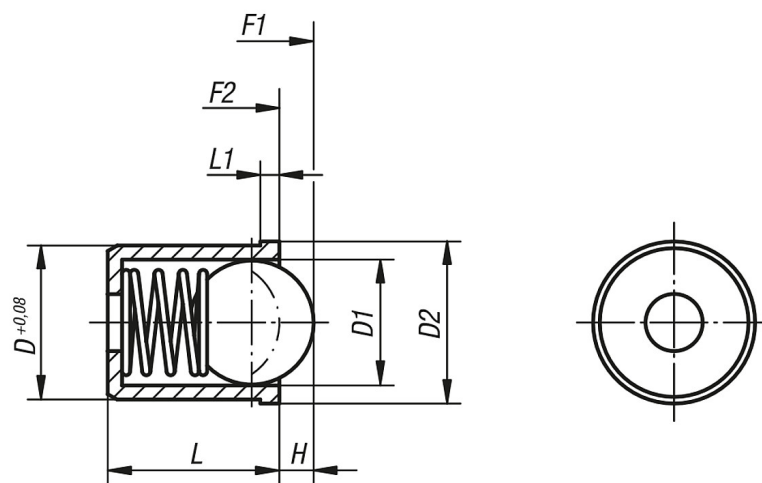
Material:

Body stainless 1.4305
Spring stainless 1.4310
Ball stainless 1.4034

Version:

Bright. Ball hardened.

Drawings



Overview of items

Order No.	D	D1	D2	L	L1	H	Spring force initial pressure F1 approx. N	Spring force final pressure F2 approx. N
30-9-1	4	3	4,6	5	1	0,8	3	7
30-9-2	5	4	5,6	6	1	1	4	7
30-9-3	6	5	6,5	7	1	1,5	6	12
30-9-4	8	6,5	8,5	9	1	1,8	6	12
30-9-5	10	8	12	13,5	2,5	2,7	10	20
30-9-6	12	10	14	16	2,5	3,5	15	25