

Item description/product images



Description

Material:

Stainless steel 1.4301.

Version:

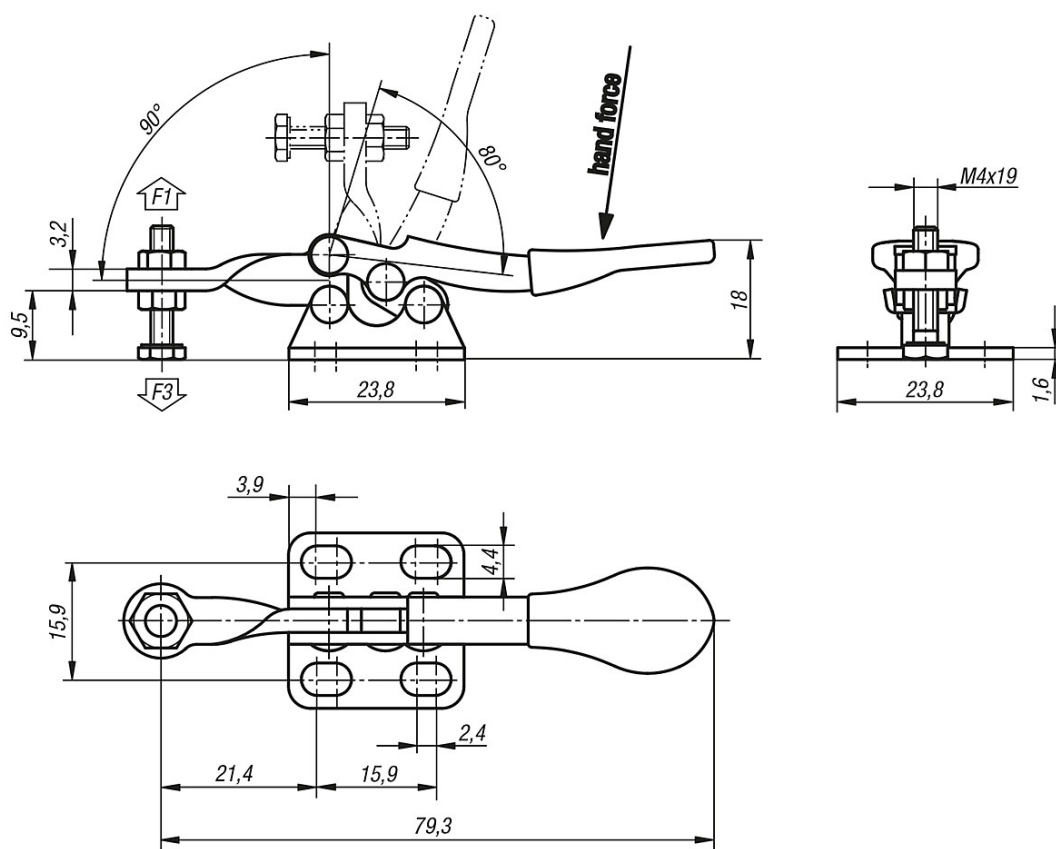
Bright.

Oil resistant plastic grip.

Note:

Horizontal mini toggle clamp with horizontal foot and fixed clamping spindle.

Drawings



Overview of items

Order No.	Hand force N	Retaining force F1 N	Retaining force F2 N	Clamping force F3 N	Clamping force F4 N	Approx. weight kg
40-102-1	60	250	270	170	200	0,026