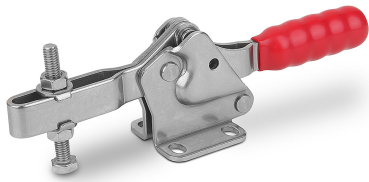


Item description/product images



Description

Material:

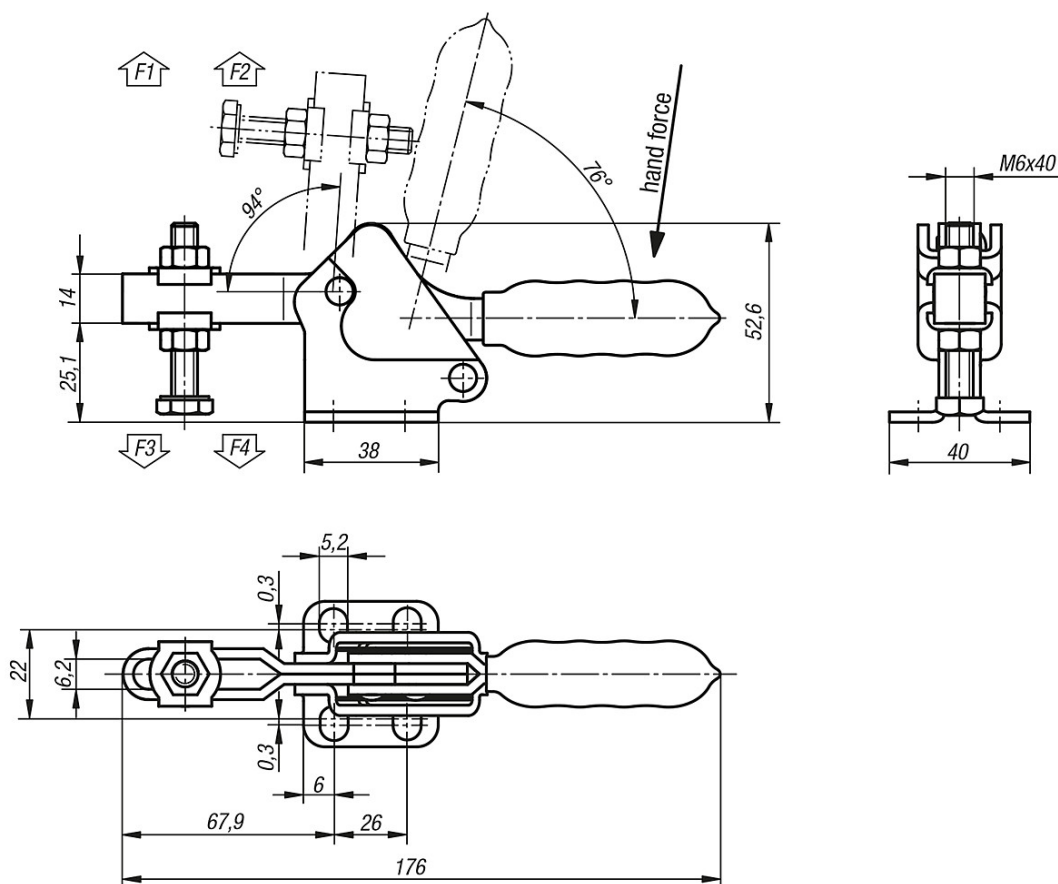
Stainless steel 1.4301.

Version:

Bright.

Oil resistant plastic grip.

Drawings



Overview of items

Order No.	Hand force N	Retaining force F1 N	Retaining force F2 N	Clamping force F3 N	Clamping force F4 N	Approx. weight kg
40-105-1	150	650	1.500	550	1.000	0,23