

Item description/product images

Description

**Material:**

Stainless steel 1.4301.

Version:

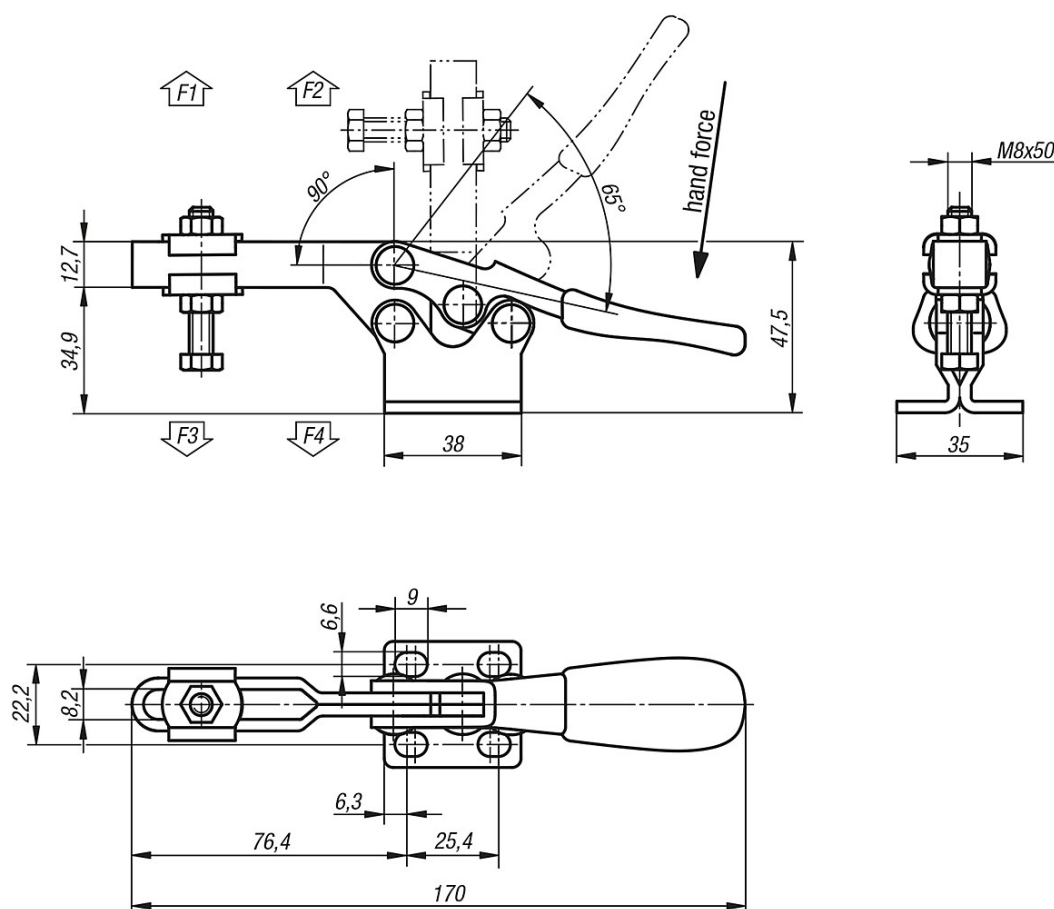
Bright.

Oil resistant plastic grip.

Note:

Horizontal toggle clamp with horizontal foot and adjustable clamping spindle.

Drawings



Overview of items

Order No.	Hand force N	Retaining force F1 N	Retaining force F2 N	Clamping force F3 N	Clamping force F4 N	Approx. weight kg
40-106-1	100	1.600	2.270	650	900	0,27

40-106

Toggle clamps horizontal, clamping force 2270 N