

Item description/product images



Description

Material:

Stainless steel 1.4301.

Version:

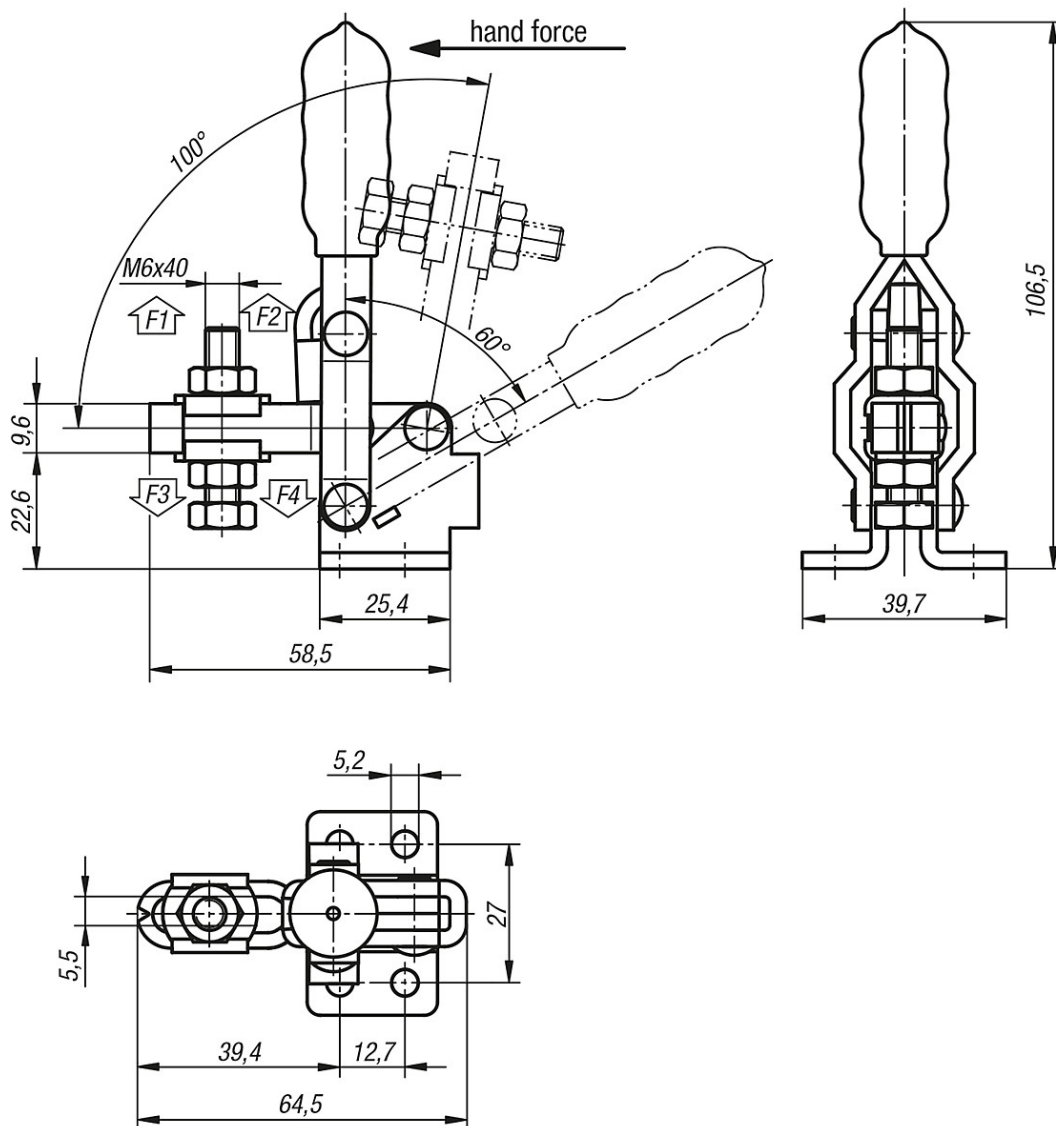
Bright.

Oil resistant plastic grip.

Note:

Vertical toggle clamps with horizontal foot and adjustable clamping spindle.

Drawings



Overview of items

Order No.	Hand force N	Retaining force F1 N	Retaining force F2 N	Clamping force F3 N	Clamping force F4 N	Approx. weight kg
40-112-1	80	640	910	350	740	0,17