

## Item description/product images



## Description

**Material:**

Stainless steel 1.4301.

**Version:**

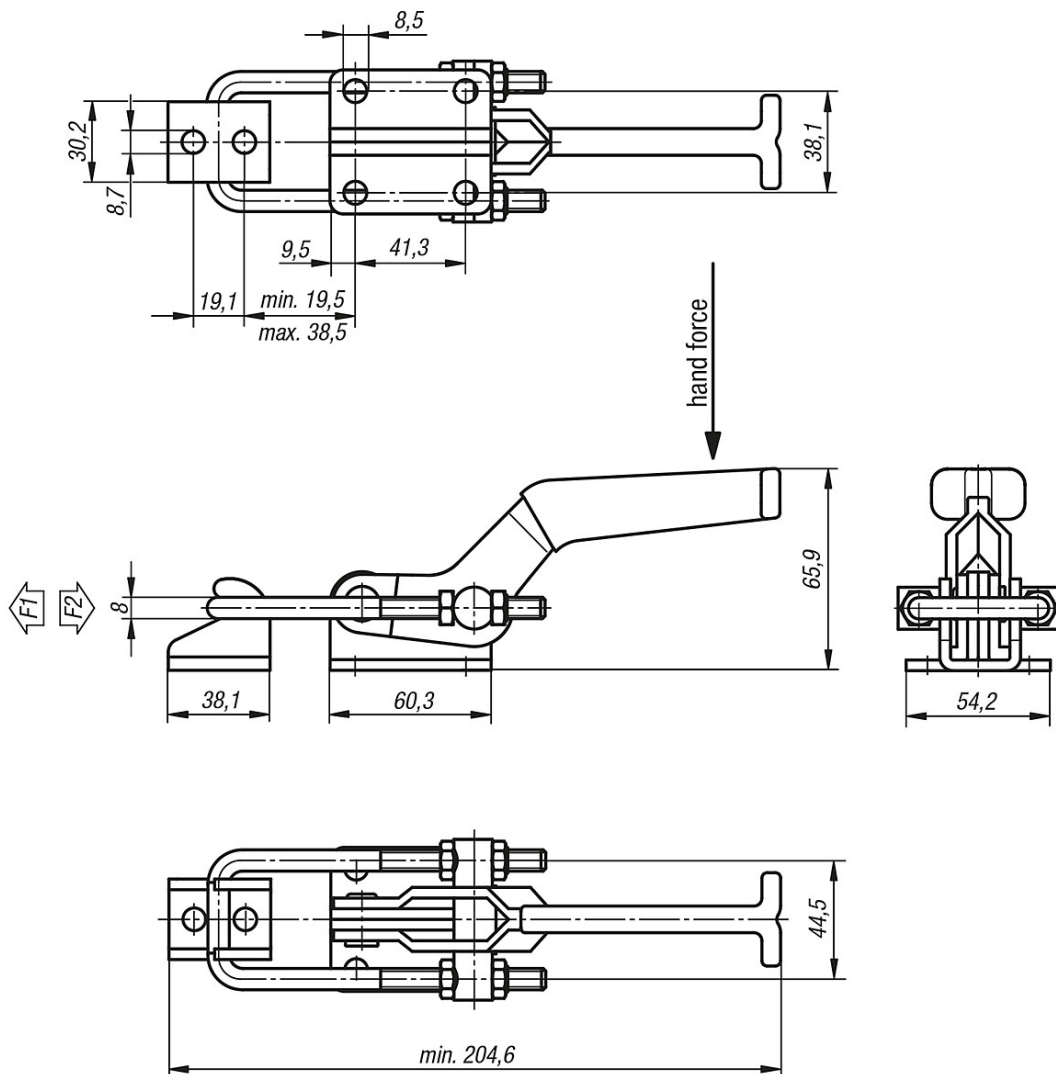
Bright.

Oil resistant plastic grip.

**Note:**

Latch clamps are especially suitable for quick closing and fastening of lids and hatches. The travel range of the locking bracket can be adjusted to suit.

## Drawings



## Overview of items

---

Order No.	Hand force N	Retaining force F2 N	Pull force F1 N	Approx. weight kg
40-122-1	200	9.000	3.800	0,68