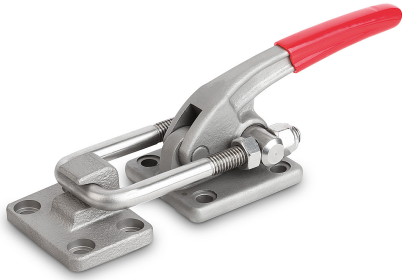


Item description/product images

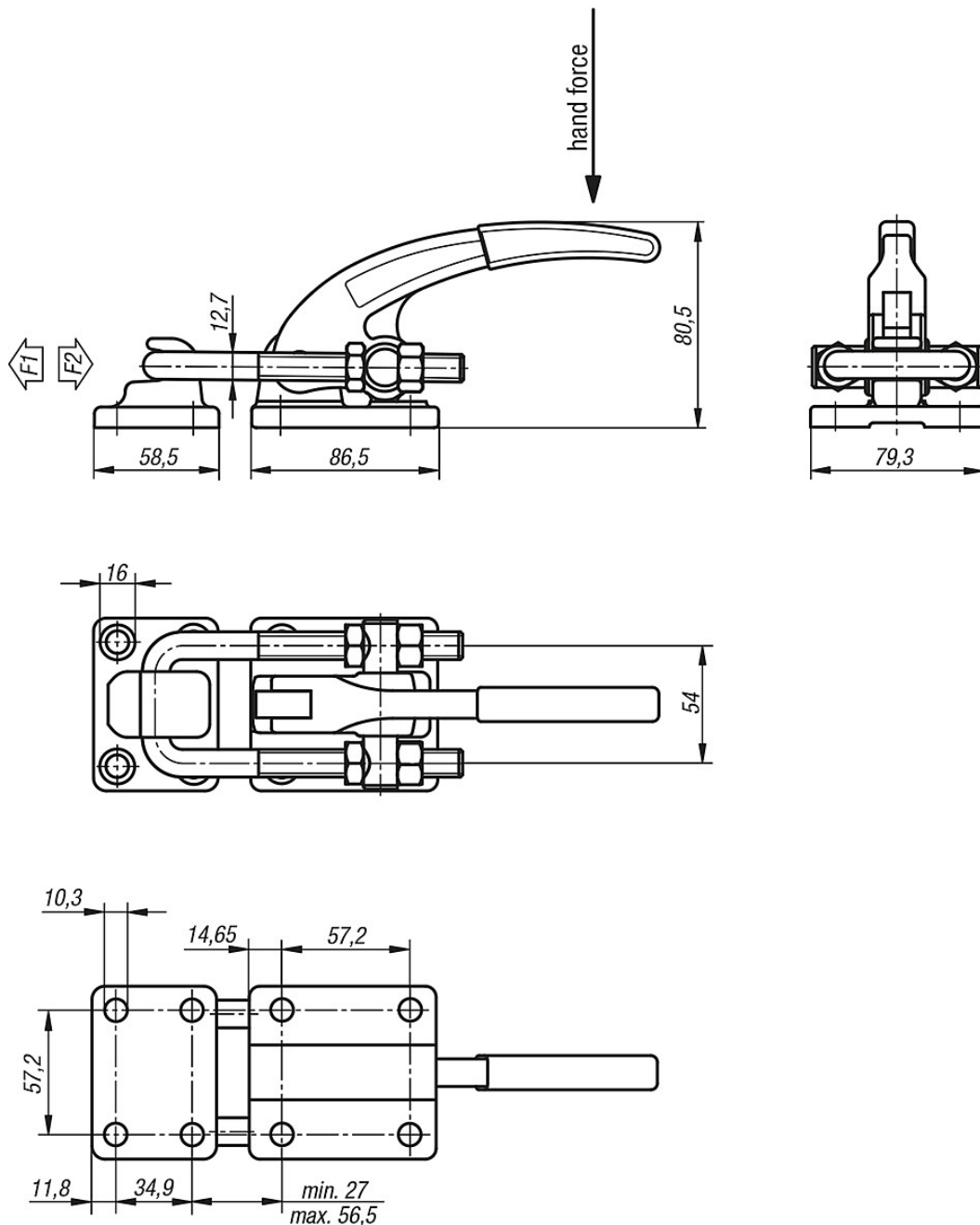


Description

Material:
Stainless steel 1.4301.

Version:
Bright.
Oil resistant plastic grip.

Drawings



Overview of items

Order No.	Hand force N	Retaining force F2 N	Pull force F1 N	Approx. weight kg
40-131-1	440	34.000	12.000	1,48