

Item description/product images

**Description****Material:**

Stainless steel 1.4301.

Version:

Bright.

Oil resistant plastic grip.

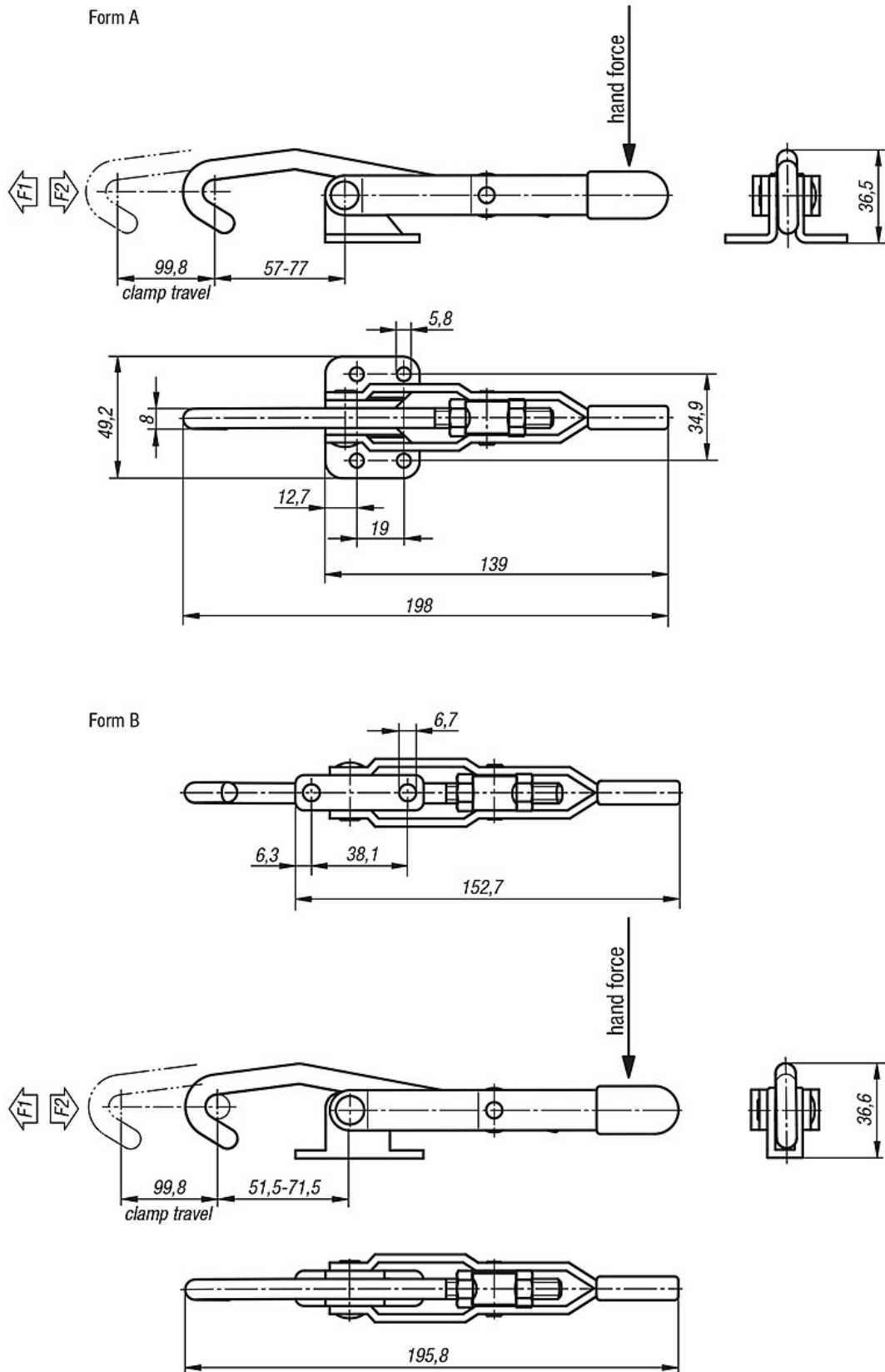
Note:

Hook toggle clamps are especially suitable for quick closing and fastening of lids and hatches. The travel range of the locking hook can be adjusted to suit.

Travel range: 0 - 20 mm.

Matching catch plate see 40-126

Drawings



Overview of items

Order No.	Form	Hand force N	Retaining force F2 N	Pull force F1 N	Approx. weight kg
40-125-1	A	100	1.700	1.200	0,27
40-125-2	B	100	1.700	1.200	0,26