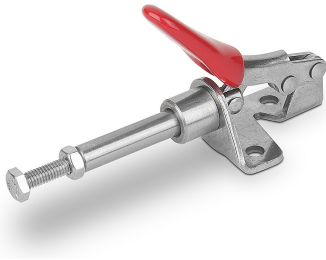


## Item description/product images



## Description

**Material:**

Stainless steel 1.4301.

**Version:**

Bright.

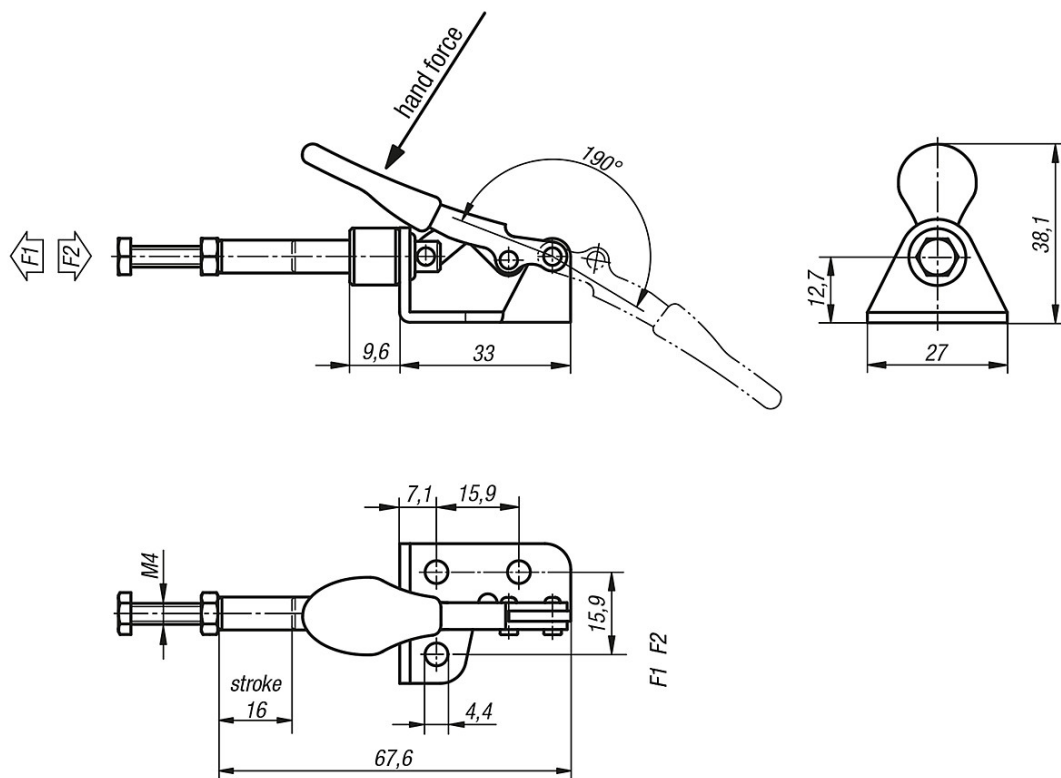
Oil resistant plastic grip.

**Note:**

The clamps lock in the open and closed handle positions.

This means they can clamp during the pushing or pulling actions.

## Drawings



## Overview of items

Order No.	Hand force N	Retaining force F2 N	Clamping force F1 N	Approx. weight kg
40-127-1	50	450	380	0,05