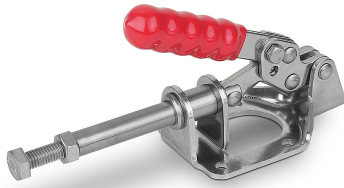


Item description/product images



Description

Material:

Stainless steel 1.4301.

Version:

Bright.

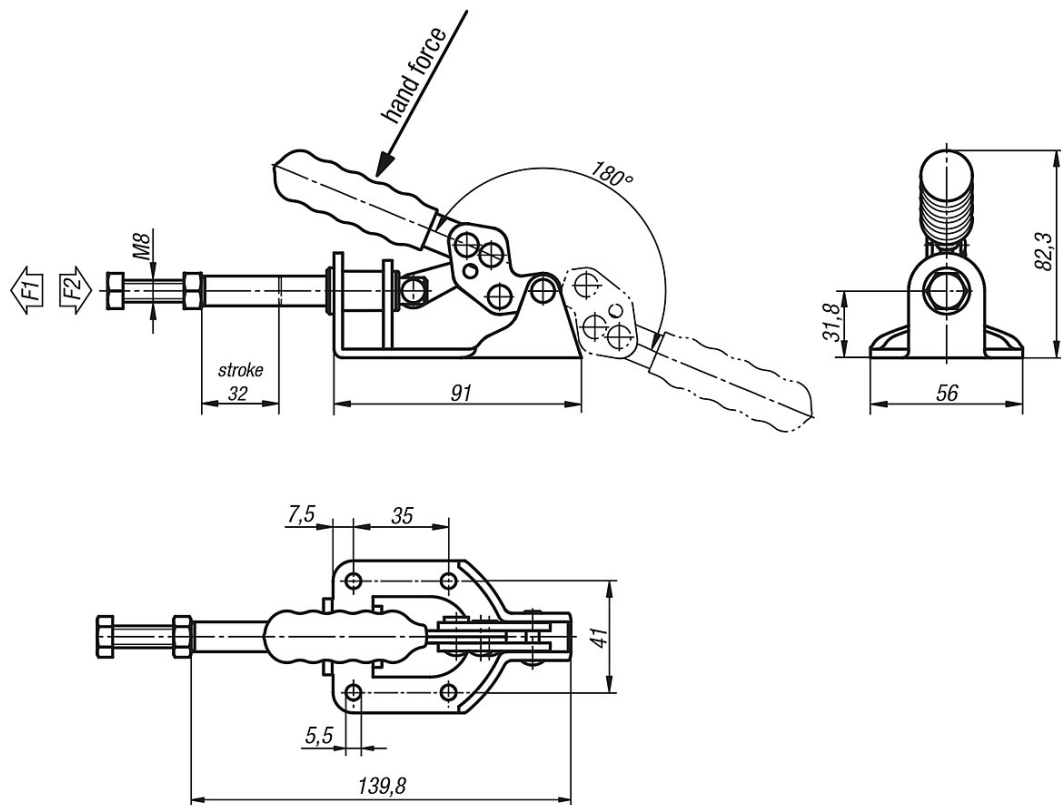
Oil resistant plastic grip.

Note:

The clamps lock in the open and closed handle positions.

This means they can clamp during the pushing or pulling actions.

Drawings



Overview of items

Order No.	Hand force N	Retaining force F2 N	Clamping force F1 N
40-128-1	60	1.360	1.100