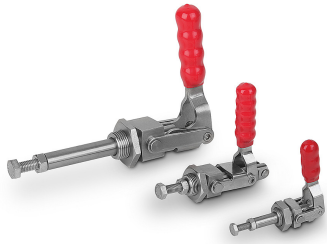


Item description/product images



Description

Material:

Stainless steel 1.4301.

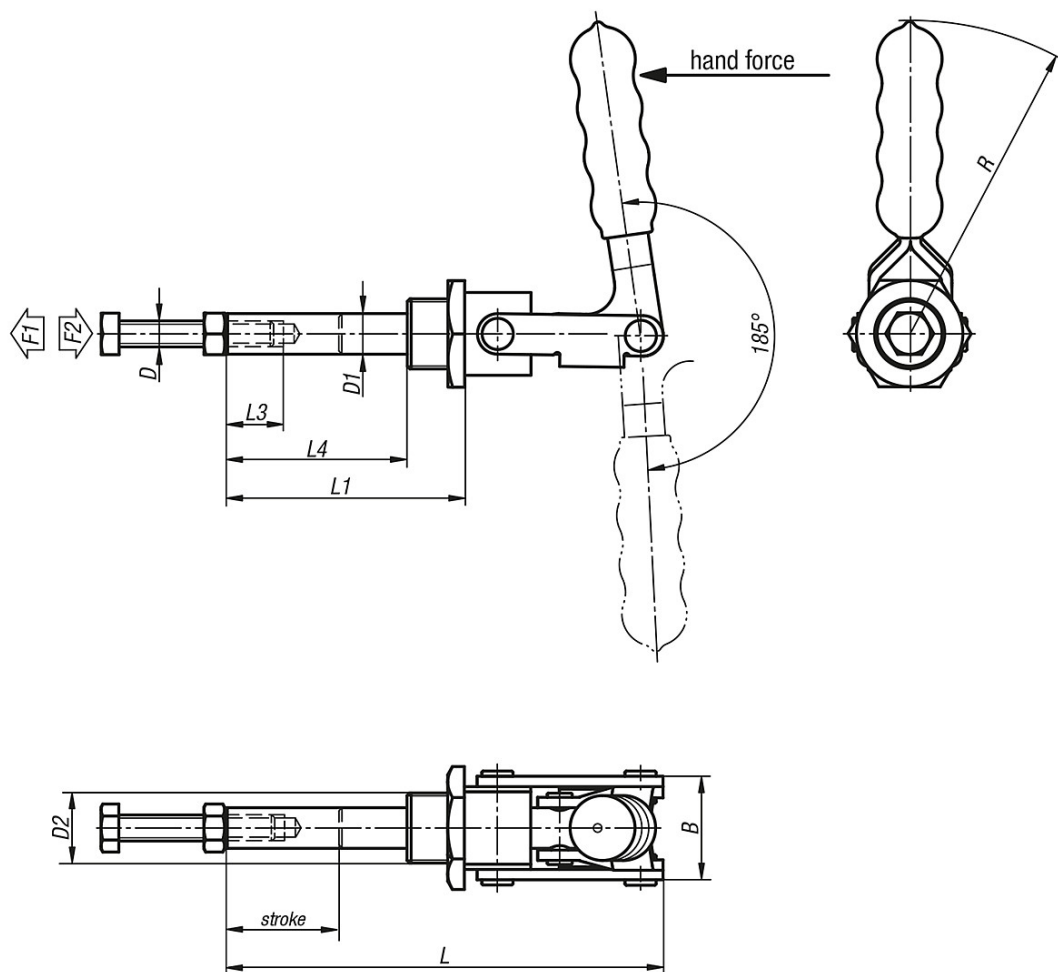
Note:

The clamps lock in the open and closed handle positions.

This means they can clamp during the pushing or pulling actions.

The fastening nut supplied allows the clamps to be mounted in any desired position.

Drawings



Overview of items

Order No.	B	D1	L	L1	L3	L4	M	M1	R	Travel	Opening angle of handle	Hand force N	Retaining force F2 N	Clamping force F1 N	Approx. weight kg
40-130-1	24	9,4	65	33,4	25	21	M6x30	M16x1,5	68	19	185°	60	910	850	0,113
40-130-2	28,6	10,8	109	56,2	30	40,5	M8x50	M20x1,5	95	38	185°	80	1.360	1.250	0,27
40-130-3	39,9	15,7	167,5	91,4	35	69,5	M10x50	M27x2	130	67	185°	100	3.180	2.250	0,69

Overview of items
