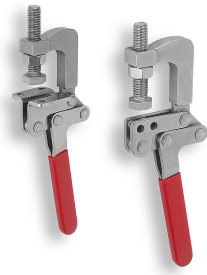


Item description/product images



Description

Material:

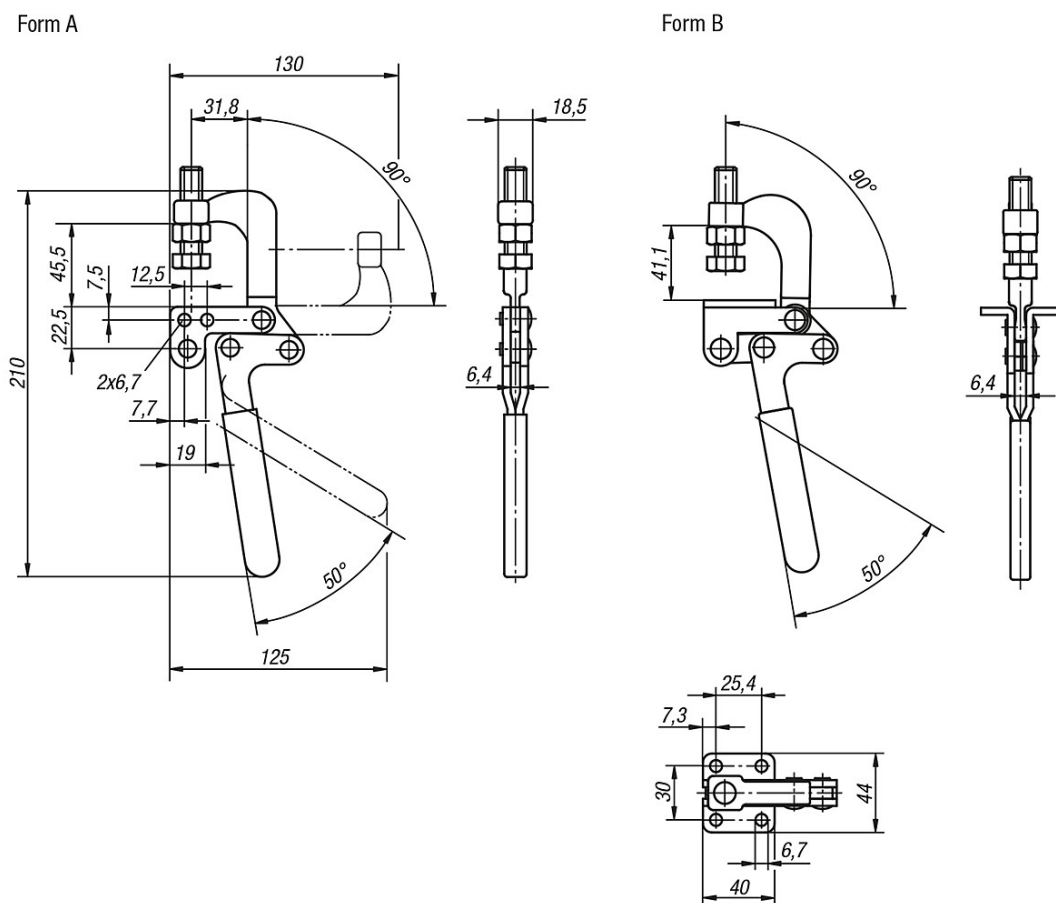
Stainless steel 1.4301.

Version:

Bright.

Oil resistant plastic grip.

Drawings



Overview of items

Order No.	Form	Magnetic force N
40-20-1	A	3.400
40-20-2	B	3.400