

## Item description/product images



## Description

**Material:**

Stainless steel 1.4304

**Version:**

Bright.

**Note:**

Profile guide rails can be screwed down from above.

The miniature profile guide rails are available in four sizes on which one or more carriages can be mounted.

They are for use with carriages with a 4 point contact recirculating ball bearing system with equal load angles and 2 recirculating ball bearing raceways per carriage.

This system ensures the carriage can take loads equally from all directions.

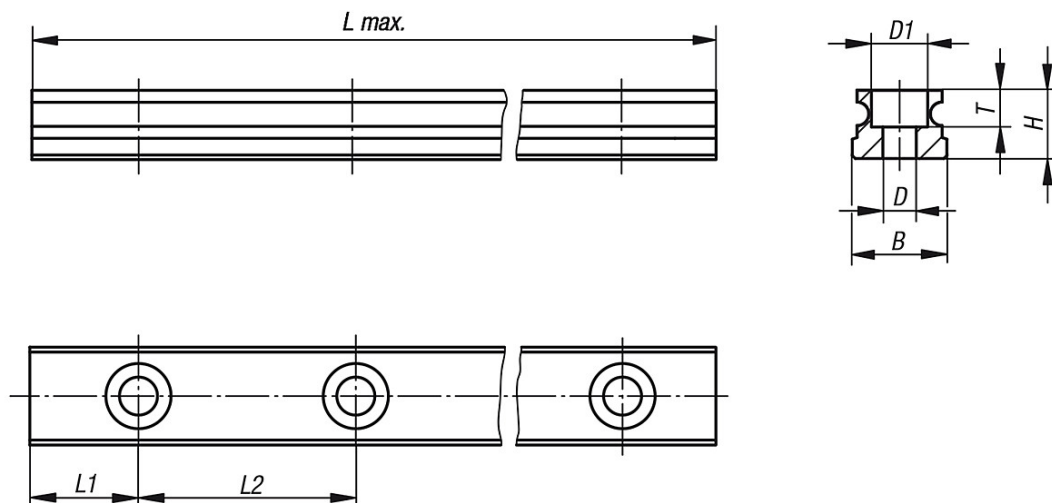
Max. acceleration: 80 m/s<sup>2</sup>

Max. linear speed: 3 m/s

Application temp: -20 °C to +80 °C

The rails can be joined together.

## Drawings



## Overview of items

Order No.	Version	Size	B	D	D1	H	L max.	L1	L2	T
50-203-1	standard	7	7	2,4	4,2	4,7	240	7,5	15	2,3
50-203-2	standard	9	9	3,5	6	5,5	495	7,5	20	3,3
50-203-3	standard	12	12	3,5	6	7,5	570	10	25	4,5
50-203-4	standard	15	15	3,5	6	9,5	790	15	40	4,5

Order No.	Version	Size	B	D	D1	H	L max.	L1	L2	T
50-204-1	wide	7	14	3,5	6	5,2	240	15	30	3,2
50-204-2	wide	9	18	3,5	6	7,5	495	7,5	30	4,5

## Overview of items

Order No.	Version	Size	B	D	D1	H	L max.	L1	L2	T
50-204-3	wide	12	24	4,5	8	8,5	570	25	40	4,5
50-204-4*	wide	15	42	4,5	8	9,5	790	15	40	4,5