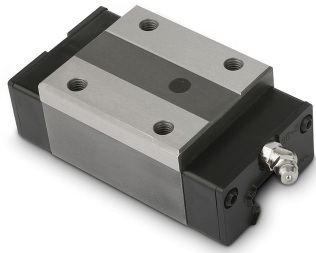


**Item description/product images**

---



**Description**

**Material:**

Stainless steel 1.4125  
Deflection units plastic

**Version:**

Bright.

**Note:**

Carriage and rails are case hardened.

Constructed in an X arrangement so that a certain amount of angle adjustment is possible.

Carriage with 2 recirculating balls bearing guides precision N and zero play (Z0).

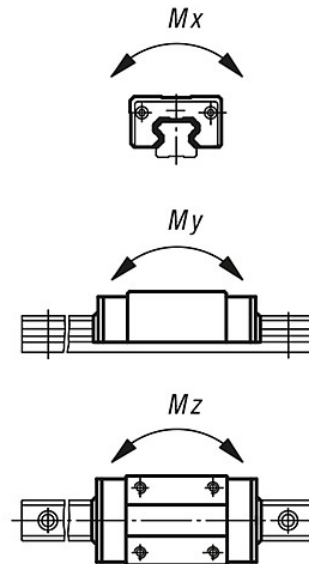
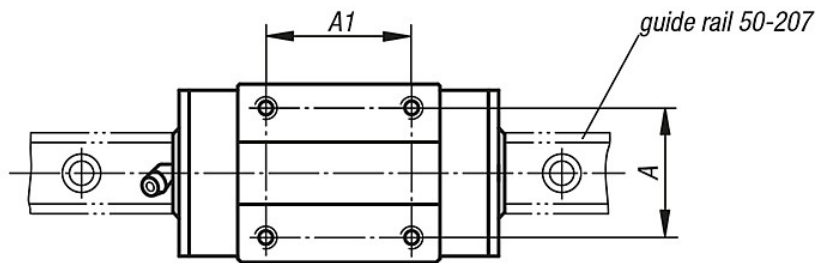
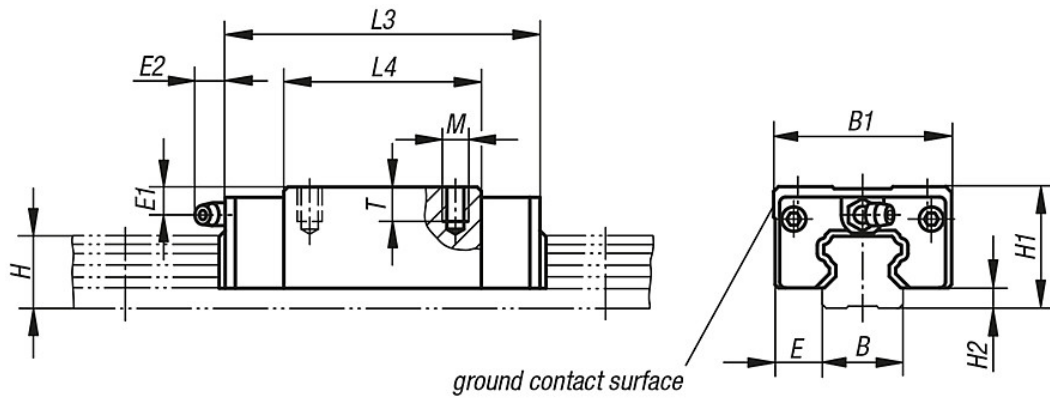
High dynamic value:  $v = 5 \text{ m/s}$

Max. temperature in continuous operation: 80 °C

**On request:**

Various precision and pre-stress classes are available.

**Drawings**



**Overview of items**

Order No.	Size	$M_x$ Nm	$M_y$ Nm	$M_z$ Nm	Dynamic load rating N	Static load rating N	Lubrication hole	A	A1	B	B1	E	E1	E2	H	H1	H2	L3	L4	M	T
50-205-1	15	108	95	80	10.800	20.700	∅3	26	26	15	34	9,5	8,5	3,3	15	28	4,6	55	39	M4	6
50-205-2	20	219	185	155	17.400	32.500	M6x0,75	32	36	20	44	12	5	11	18	30	5	69,8	50	M5	6
50-205-3	25	360	320	267	25.600	46.000	M6x0,75	35	35	23	48	12,5	6	11	22	40	7	79	58	M6	9

**Overview of items**

---