

Item description/product images

**Description****Material:**

Housing aluminium.

Ball bearing bush 1.4034.

Slide bearing anodized aluminium with Frelon bearing surface.

Version:

Housing aluminium, bright.

Slide bearing insert blue anodized.

Ball bearing bush bright metallic.

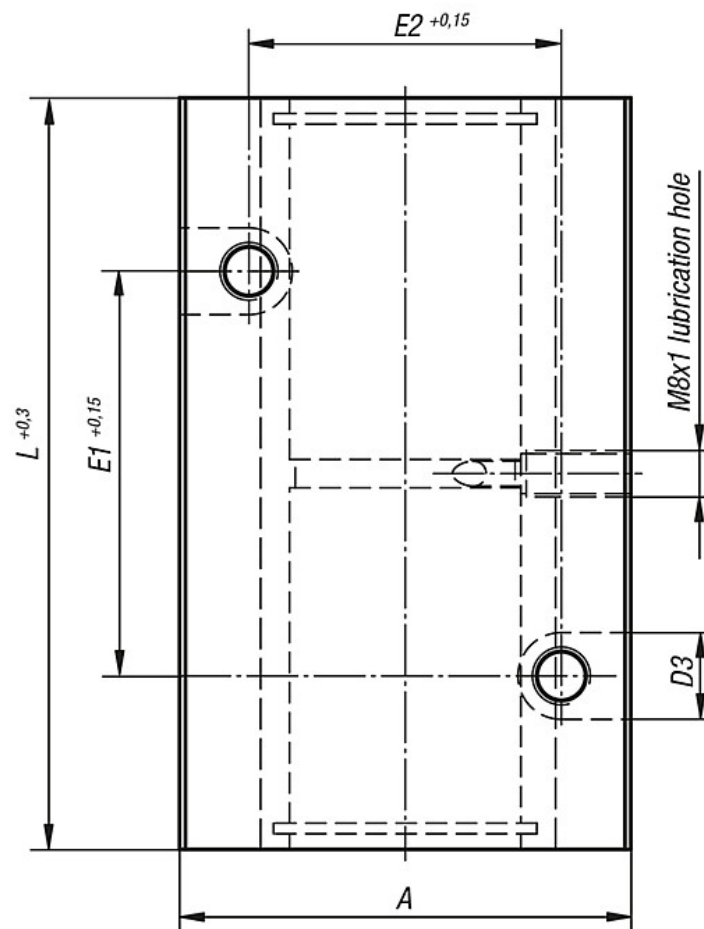
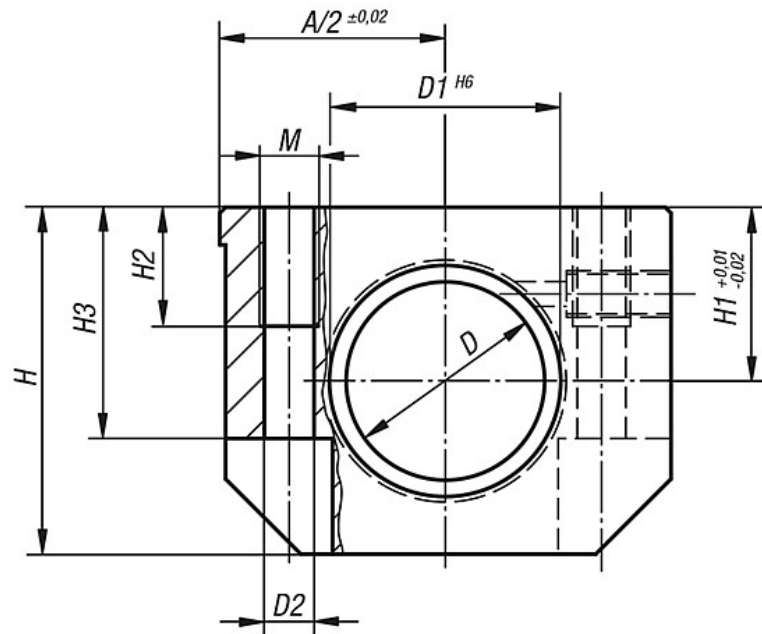
Bearings secured with DIN 472 circlips.

Note:

Preferred application in the food, pharmaceutical, semiconductor, chemical and mechanical engineering fields.

Load capacities according to linear ball bearing specifications.

Drawings



Overview of items

Order No.	Version	A	D	D1	D2	D3	E1	E2	H	H1	H2	H3	L	M
50-108-2	ball bearing bush	43	12	22	5,2	10	40	30	35	18	13	25	76	M6
50-108-3	ball bearing bush	53	16	26	5,2	10	45	36	42	22	13	30	84	M6
50-108-4	ball bearing bush	60	20	32	6,8	11	55	45	50	25	18	34	104	M8
50-108-5	ball bearing bush	78	25	40	8,6	15	70	54	60	30	22	40	130	M10
50-108-6	ball bearing bush	87	30	47	10,3	18	85	62	70	35	26	48	152	M12

Order No.	Version	A	D	D1	D2	D3	E1	E2	H	H1	H2	H3	L	M
50-108-12	plain bearing bush	43	12	22	5,2	10	40	30	35	18	13	25	76	M6
50-108-13	plain bearing bush	53	16	26	5,2	10	45	36	42	22	13	30	84	M6
50-108-14	plain bearing bush	60	20	32	6,8	11	55	45	50	25	18	34	104	M8
50-108-15	plain bearing bush	78	25	40	8,6	15	70	54	60	30	22	40	130	M10
50-108-16	plain bearing bush	87	30	47	10,3	18	85	62	70	35	26	48	152	M12