

Item description/product images

**Description****Material:**

Housing aluminium.

Ball bearing bush 1.4034.

Plain bearing anodized aluminium with Frelon bearing surface.

Version:

Housing bright aluminium.

Plain bearing bush blue anodized.

Ball bearing bush bright metallic.

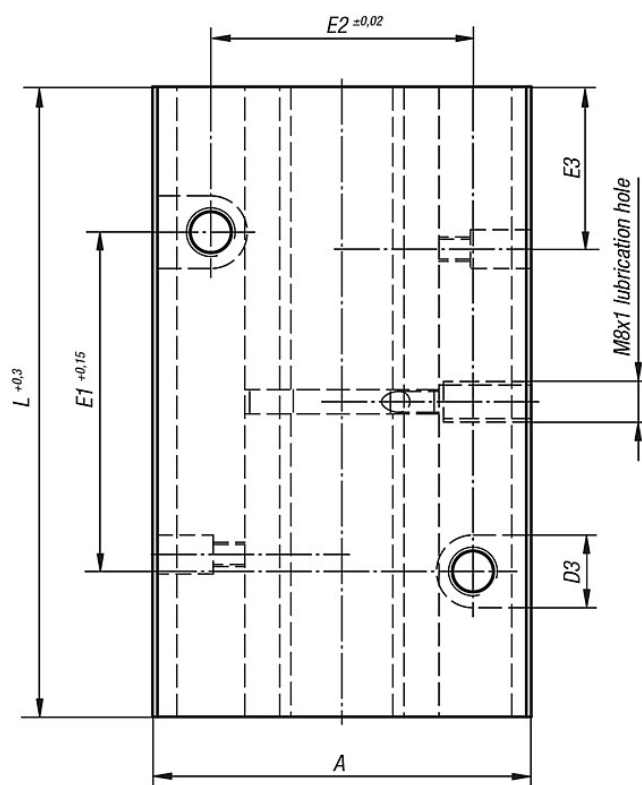
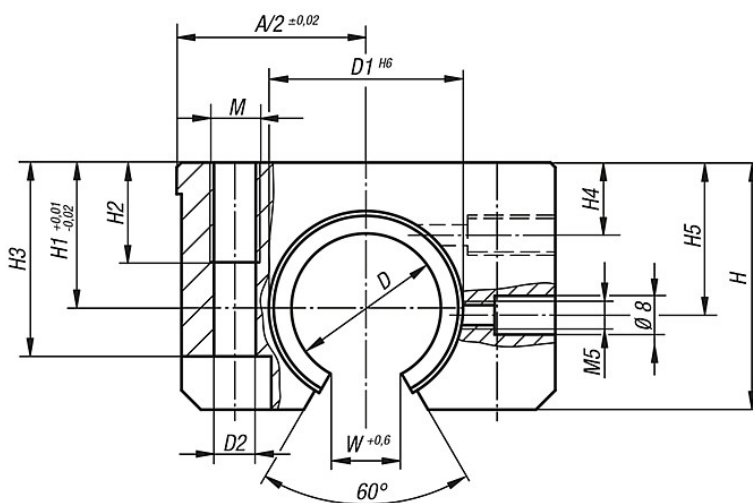
Bearings are secured in the housing with cylinder screws.

Note:

Preferred application in the food, pharmaceutical, semiconductor, chemical and mechanical engineering fields.

Load capacities according to linear ball bearing specifications.

Drawings



Overview of items

Order No.	Version	A	D	D1	D2	D3	E1	E2	E3	H	H1	H2	H3	H5	L	M	W
50-112-1	ball bearing bush	43	12	22	5,2	10	40	30	19,5	30	18	13	25	16,65	76	M6	7
50-112-2	ball bearing bush	53	16	26	5,2	10	45	36	21,5	35	22	13	30	22	84	M6	9,4
50-112-3	ball bearing bush	60	20	32	6,8	11	55	45	27	42	25	18	34	25	104	M8	10,2
50-112-4	ball bearing bush	78	25	40	8,6	15	70	54	33,5	51	30	22	40	31,5	130	M10	12,9
50-112-5	ball bearing bush	87	30	47	10,3	18	85	62	39,5	60	35	26	48	33	152	M12	14,4

Order No.	Version	A	D	D1	D2	D3	E1	E2	E3	H	H1	H2	H3	H4	H5	L	M	W
50-112-11	plain bearing bush	43	12	22	5,2	10	40	30	19,5	30	18	13	25	8	16,65	76	M6	7
50-112-12	plain bearing bush	53	16	26	5,2	10	45	36	21,5	35	22	13	30	12	22	84	M6	9,4

Overview of items

Order No.	Version	A	D	D1	D2	D3	E1	E2	E3	H	H1	H2	H3	H4	H5	L	M	W
50-112-13	plain bearing bush	60	20	32	6,8	11	55	45	27	42	25	18	34	13	25	104	M8	10,2
50-112-14	plain bearing bush	78	25	40	8,6	15	70	54	33,5	51	30	22	40	15	31,5	130	M10	12,9
50-112-15	plain bearing bush	87	30	47	10,3	18	85	62	39,5	60	35	26	48	16	33	152	M12	14,4