

Item description/product images

**Description****Material:**

Housing aluminium.

Ball bearing bush 1.4034.

Plain bearing anodized aluminium with Frelon bearing surface.

Version:

Housing aluminium, bright.

Plain bearing insert blue anodized.

Ball bearing bush bright metallic.

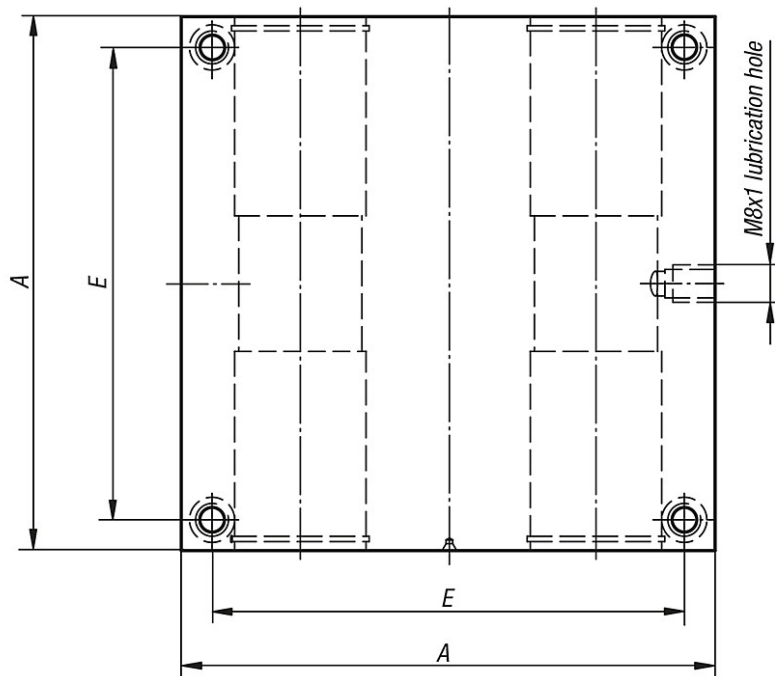
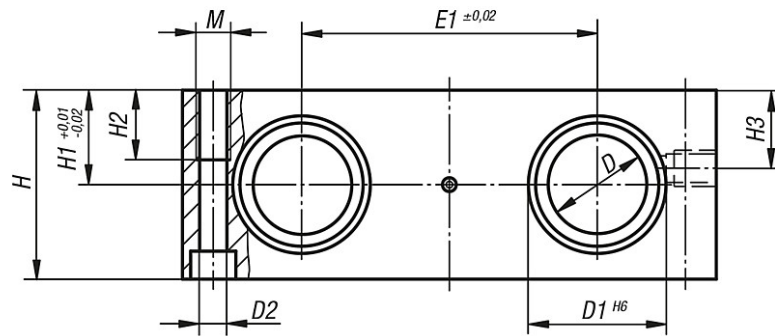
Bearings secured with DIN 472 circlips.

Note:

Preferred application in the food, pharmaceutical, semiconductor, chemical and mechanical engineering fields.

Load capacities according to linear ball bearing specifications.

Drawings



Overview of items

Order No.	Version	A	D	D1	D2	E	E1	H	H1	H2	H3	M
50-116-2	ball bearing bush	85	12	22	5,3	73	42	32	16	13	13	M6
50-116-3	ball bearing bush	100	16	26	5,3	88	54	36	18	13	15	M6
50-116-4	ball bearing bush	130	20	32	6,8	115	72	46	23	18	19	M8
50-116-5	ball bearing bush	160	25	40	9	140	88	56	28	22	24	M10
50-116-6	ball bearing bush	180	30	47	10,5	158	96	64	32	26	27	M12

Order No.	Version	A	D	D1	D2	E	E1	H	H1	H2	H3	M
50-116-12	plain bearing bush	85	12	22	5,3	73	42	32	16	13	13	M6
50-116-13	plain bearing bush	100	16	26	5,3	88	54	36	18	13	15	M6
50-116-14	plain bearing bush	130	20	32	6,8	115	72	46	23	18	19	M8
50-116-15	plain bearing bush	160	25	40	9	140	88	56	28	22	24	M10
50-116-16	plain bearing bush	180	30	47	10,5	158	96	64	32	26	27	M12

Overview of items
