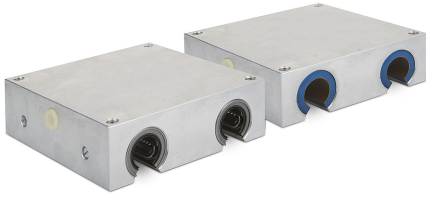


## Item description/product images

**Description****Material:**

Housing aluminium.

Ball bearing bush 1.4034.

Plain bearing anodized aluminium with Frelon bearing surface.

**Version:**

Housing bright aluminium.

Plain bearing bush blue anodized.

Ball bearing bush bright metallic.

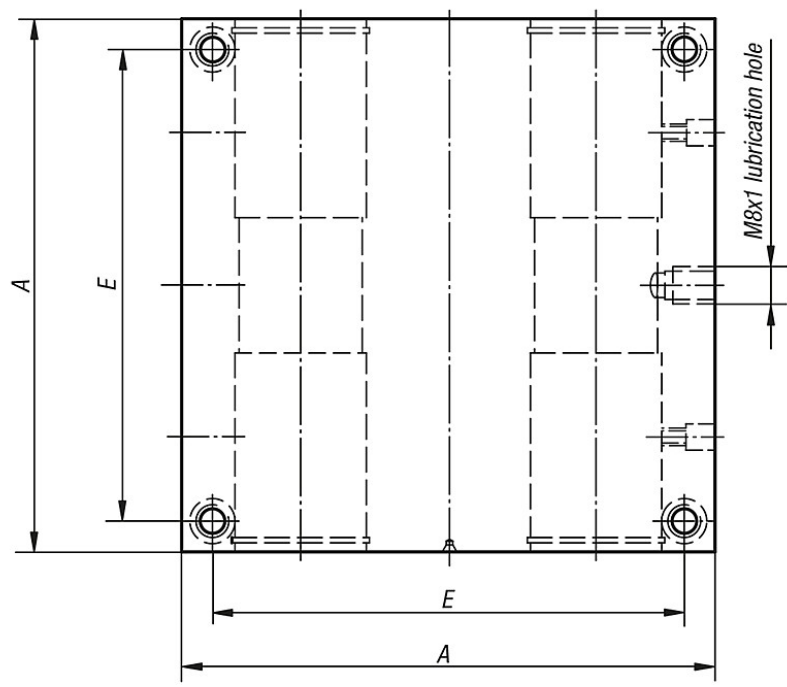
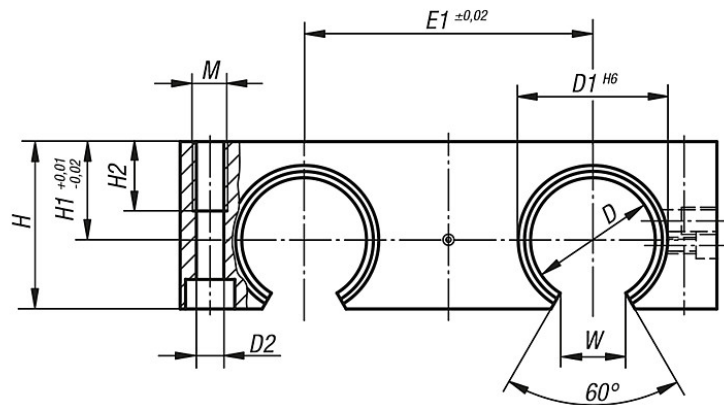
Bearings are located in the housing with cylinder screws.

**Note:**

Preferred application in the food, pharmaceutical, semiconductor, chemical and mechanical engineering fields.

Load capacities according to linear ball bearing specifications.

**Drawings**



**Overview of items**

Order No.	Version	A	D	D1	D2	E	E1	H	H1	H2	M	W
50-117-1	ball bearing bush	85	12	22	5,3	73	42	30	18	13	M6	7
50-117-2	ball bearing bush	100	16	26	5,3	88	54	35	22	13	M6	9,4
50-117-3	ball bearing bush	130	20	32	6,8	115	72	42	25	18	M8	10,2
50-117-4	ball bearing bush	160	25	40	9	140	88	51	30	22	M10	12,9
50-117-5	ball bearing bush	180	30	47	10,5	158	96	60	35	26	M12	13,9

Order No.	Version	A	D	D1	D2	E	E1	H	H1	H2	M	W
50-117-11	plain bearing bush	85	12	22	5,3	73	42	30	18	13	M6	7
50-117-12	plain bearing bush	100	16	26	5,3	88	54	35	22	13	M6	9,4
50-117-13	plain bearing bush	130	20	32	6,8	115	72	42	25	18	M8	10,2
50-117-14	plain bearing bush	160	25	40	9	140	88	51	30	22	M10	12,9
50-117-15	plain bearing bush	180	30	47	10,5	158	96	60	35	26	M12	13,9

**Overview of items**

---