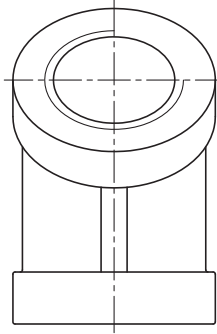
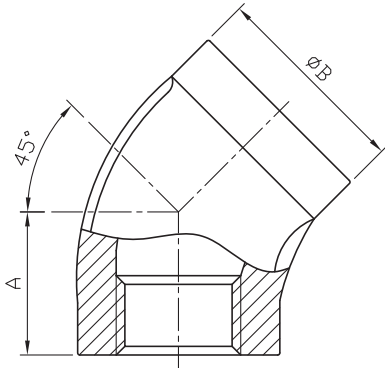


# Elbow 45°

# F02

## Class 150



### Standard Pattern

SIZE	1/8"		1/4"		3/8"		1/2"		3/4"		1"		1-1/4"		1-1/2"		2"		2-1/2"		3"		4"	
	mm	in	mm	in	mm	in	mm	in	mm	in	mm	in	mm	in	mm	in	mm	in	mm	in	mm	in	mm	in
A	15	0.59	16	0.63	18	0.71	20	0.79	24	0.94	27	1.06	31	1.22	34	1.34	39	1.54	46	1.81	52	2.05	63	2.48
B	16	0.63	18.4	0.72	22	0.87	29	1.14	32	1.26	42	1.65	48.4	1.91	57	2.24	70	2.76	88	3.46	101	3.98	127.6	5.02

Tolerance:  $\pm 0.5\text{mm}$ (1/8"~2")  
 $\pm 0.8\text{mm}$ (2-1/2"~4")

### Economic Pattern

SIZE	1/8"		1/4"		3/8"		1/2"		3/4"		1"		1-1/4"		1-1/2"		2"		2-1/2" (NPT)		2-1/2" (PS)		3"		4"	
	mm	in	mm	in	mm	in	mm	in	mm	in	mm	in	mm	in	mm	in	mm	in	mm	in	mm	in	mm	in	mm	in
A	15	0.59	16	0.63	18	0.71	20	0.79	24	0.94	27	1.06	31	1.22	34	1.34	39	1.54	46	1.81	46	1.81	52	2.05	63	2.48
B	13.9	0.55	17.4	0.69	20.9	0.82	24.9	0.98	31.2	1.23	38.1	1.5	47.4	1.87	54.1	2.13	66.6	2.62	80.1	3.15	82.4	3.24	95.9	3.78	121.8	4.8

Tolerance:  $\pm 0.5\text{mm}$ (1/8"~2")  
 $\pm 0.8\text{mm}$ (2-1/2"~4")



8F., No.201, Sec. 2, Tiding Blvd., Neihu District, Taipei City 114, Taiwan R.O.C.  
 TEL : +886-2-2658-5800 FAX : +886-2-2658-2266 / 2799-7766

[Http://www.haitima.com.tw](http://www.haitima.com.tw)  
 E-mail : [haitima@seed.net.tw](mailto:haitima@seed.net.tw)