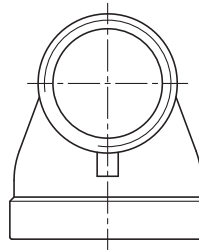
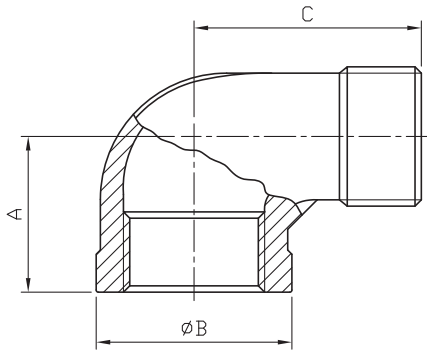


Street Elbow 90° M/F

F03

Class 150



Standard Pattern

SIZE	1/8"		1/4"		3/8"		1/2"		3/4"		1"		1-1/4"		1-1/2"		2"		2-1/2" (NPT)		2-1/2" (PS)		3"		4"	
	mm	in	mm	in	mm	in	mm	in	mm	in	mm	in	mm	in	mm	in	mm	in	mm	in	mm	in	mm	in	mm	in
A	19	0.75	21.5	0.85	24.5	0.96	29	1.14	33.5	1.32	37	1.46	43	1.69	47	1.85	57.5	2.26	66	2.6	66	2.6	74	2.91	90	3.54
B	15	0.59	20.5	0.81	24	0.94	28.4	1.12	34.3	1.35	41	1.61	51	2.01	56.5	2.22	69.5	2.74	84	3.31	87.4	3.44	101.8	4.01	128	5.04
C	26.5	1.04	30.8	1.21	36.5	1.44	41	1.61	48	1.89	55	2.17	62	2.44	67	2.64	77.5	3.05	93	3.66	93	3.66	107	4.21	130	5.12

Tolerance: ±0.5mm(1/8"~2")
±0.8mm(2-1/2"~4")

Economic Pattern

SIZE	1/8"		1/4"		3/8"		1/2"		3/4"		1"		1-1/4"		1-1/2"		2"	
	mm	in	mm	in	mm	in	mm	in	mm	in	mm	in	mm	in	mm	in	mm	in
A	19	0.75	21.5	0.85	24.5	0.96	29	1.14	33.5	1.32	37	1.46	43	1.69	47	1.85	57.5	2.26
B	13.9	0.55	17.2	0.68	20.9	0.82	24.9	0.98	31.2	1.23	38.1	1.5	47.4	1.87	54.1	2.13	66.6	2.62
C	26.5	1.04	30.8	1.21	36.5	1.44	41	1.61	48	1.89	55	2.17	62	2.44	67	2.64	77.5	3.05

Tolerance: ±0.5mm(1/8"~2")



8F., No.201, Sec. 2, Tiding Blvd., Neihu District, Taipei City 114, Taiwan R.O.C.
TEL : +886-2-2658-5800 FAX : +886-2-2658-2266 / 2799-7766

[Http://www.haitima.com.tw](http://www.haitima.com.tw)
E-mail : haitima@seed.net.tw