

Hexagon Cap

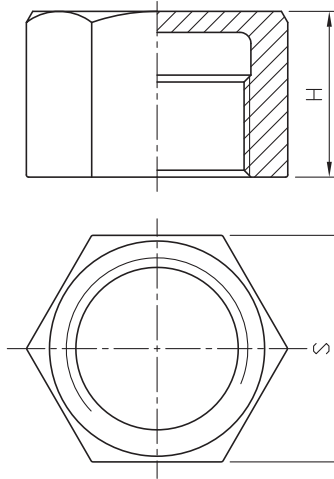
F13

Class
150

Standard Pattern

SIZE	H		S	
	mm	in	mm	in
1/8"	15.5	0.61	14.2	0.56
1/4"	17	0.67	17.5	0.69
3/8"	17.5	0.69	21.2	0.83
1/2"	20	0.79	25.5	1
3/4"	20.4	0.8	30.1	1.19
1"	27.1	1.07	37.4	1.47
1-1/4"	30	1.18	47	1.85
1-1/2"	30.3	1.19	53.2	2.09
2"	32.3	1.27	66	2.6
2-1/2"	35.2	1.39	81	3.19
3"	38.4	1.51	95.8	3.77
4"	41	1.61	122.2	4.81

Tolerance: $\pm 0.5\text{mm}$ (1/8"~2")
 $\pm 0.8\text{mm}$ (2-1/2"~4")



Type Approval
P-13548

CE CRN
0035 REGISTERED



ATEX
II2GD

TA-Luft ISO 15848 REACH
VDI 2440 LOW EMISSION (EC 1907/2006)



8F., No.201, Sec. 2, Tiding Blvd., Neihu District, Taipei City 114, Taiwan R.O.C.
TEL : +886-2-2658-5800 FAX : +886-2-2658-2266 / 2799-7766

[Http://www.haitima.com.tw](http://www.haitima.com.tw)
E-mail : haitima@seed.net.tw