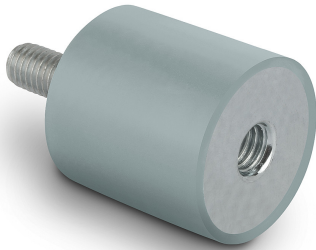


Item description/product images



Description

Material:

Metal parts, stainless steel 1.4401.

Elastomer, natural rubber, hardness medium Shore 55A, grey.

Note:

Rubber-metal buffers are widely-used construction devices that serve as elastic supports. They are used, among other things, as mounting elements for plant units, motors, compressors, pumps and testing machines.

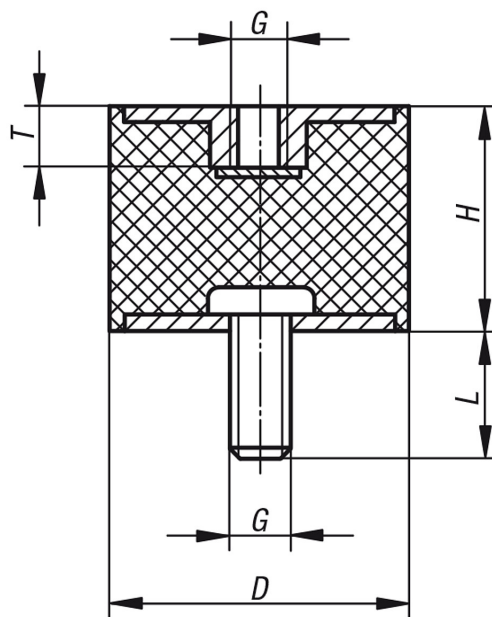
Temperature range:

-30°C to +80°C.

On request:

Metal parts, stainless steel 1.4301.

Drawings



Overview of items

Order No.	D	H	G	L	T	Approx. weight kg
50-172-1	8	8	M3	6	3	0,001
50-172-2	10	10	M4	10	4	0,0027
50-172-3	10	15	M4	10	4	0,0036
50-172-4	15	10	M4	10	4	0,0076
50-172-5	15	15	M4	10	4	0,0083
50-172-6	20	15	M6	18	5	0,014
50-172-7	20	20	M6	18	5	0,016
50-172-8	20	25	M6	18	5	0,017
50-172-9	25	15	M6	18	5	0,025
50-172-10	25	20	M6	18	5	0,028
50-172-11	25	25	M6	18	5	0,03
50-172-12	25	30	M6	18	5	0,03

Overview of items

Order No.	D	H	G	L	T	Approx. weight kg
50-172-13	30	15	M8	23	7	0,038
50-172-14	30	20	M8	23	7	0,051
50-172-15	30	25	M8	23	7	0,047
50-172-16	30	30	M8	23	7	0,048
50-172-17	30	40	M8	23	7	0,06
50-172-18	40	20	M8	23	7	0,075
50-172-19	40	30	M8	23	7	0,091
50-172-20	40	40	M8	23	7	0,103
50-172-21	50	20	M10	28	8	0,112
50-172-22	50	25	M10	28	8	0,125
50-172-23	50	30	M10	28	8	0,135
50-172-24	50	40	M10	28	8	0,168
50-172-25	50	50	M10	28	8	0,183
50-172-26	60	40	M10	28	8	0,224
50-172-27	70	45	M10	28	8	0,348
50-172-28	75	25	M12	37	10	0,299
50-172-29	75	40	M12	37	10	0,42
50-172-30	75	50	M12	37	10	0,467
50-172-31	75	55	M12	37	10	0,469