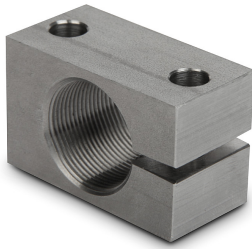


Item description/product images



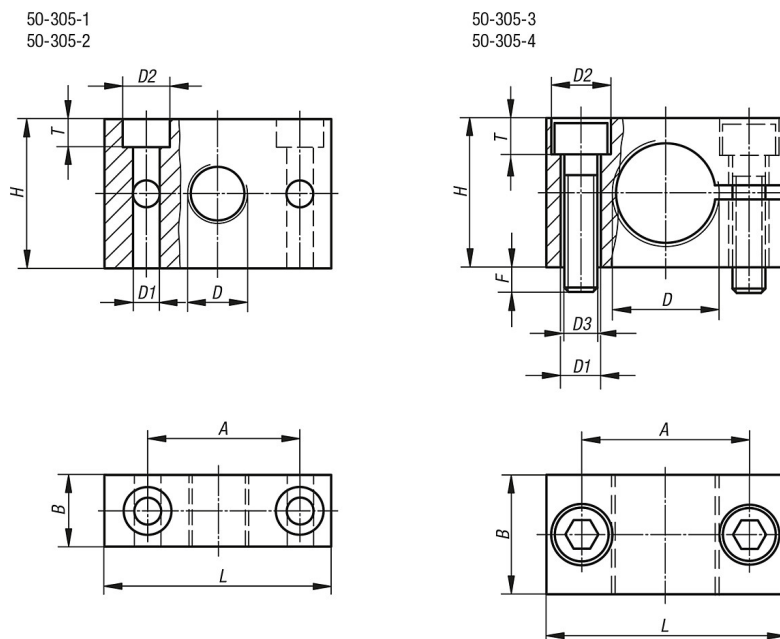
Description

Material:
 Stainless steel 1.4305.

Version:
 Bright.

Note:
 Accessory for 50-300.

Drawings



Overview of items

Order No.	A	B	D	D1	D2	D3	F	H	L	T
50-305-1	25,4	12	M10x1	4,5	8	-	-	25	38	4,5
50-305-2	25,4	12	M12x1	4,5	8	-	-	25	38	4,5
50-305-3	20	12	M14x1	5,5	8	M5	5	20	32	5,5
50-305-4	28	20	M20x1	6,5	10	M6	6	25	40	6,5