

## Item description/product images



## Description

**Material:**

Stainless steel 1.4112.

**Version:**

Bright.

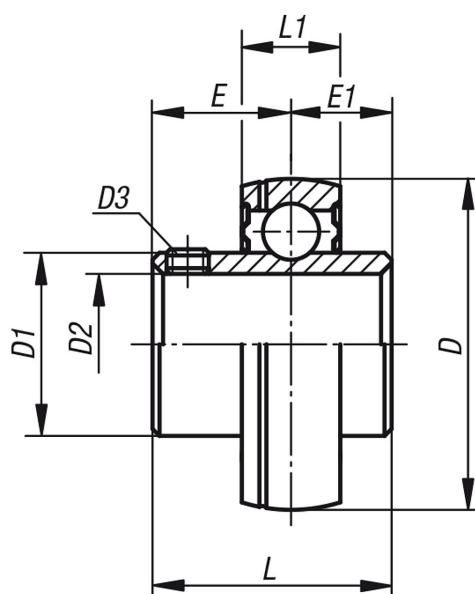
**Note:**

Stainless steel ball bearings that meet high demands.

Double sealed with rubber-stainless steel labyrinth seals.

Each bearing can be combined with a matching pillow block housing.

## Drawings



## Overview of items

Order No.	Size	D2	D	D1	D3	L	L1	E	E1
50-110-20	201	12	47	29	M6	31	17	18,3	12,7
50-110-21	202	15	47	29	M6	31	17	18,3	12,7
50-110-22	204	20	47	29	M6	31	17	18,3	12,7
50-110-23	205	25	52	34	M6	34	17	19,7	14,3
50-110-24	206	30	62	40,5	M6	38,1	19	22,2	15,9
50-110-25	207	35	72	48	M8X1	42,9	20	25,4	17,5
50-110-26	208	40	80	53	M8X1	49,2	21	30,2	19