

Item description/product images



Description

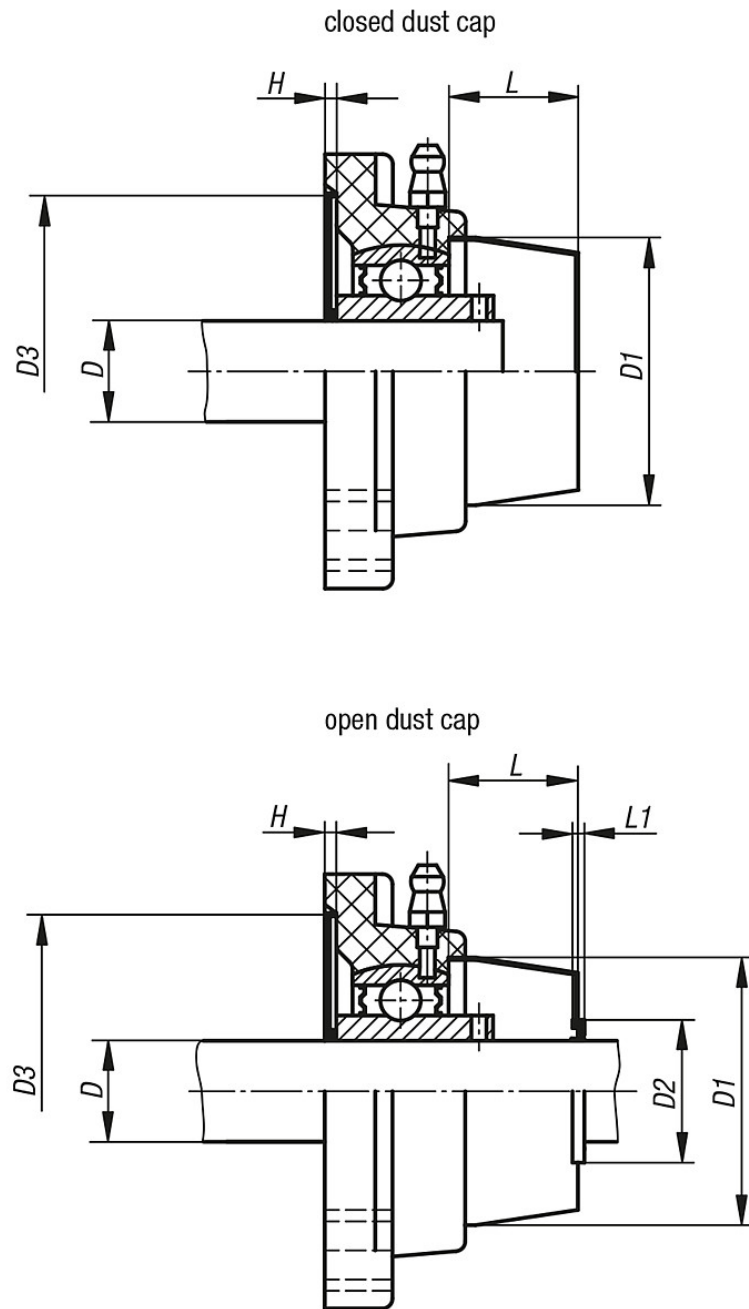
Material:
Polypropylene.

Version:
Green plastic

Note:
The dust caps are made from Polypropylene and are secured by a groove in the bearing housing.
Dust caps are used to protect shafts, bearings and clothing.

Temperature range:
-20 °C to +105 °C.

Drawings



Overview of items

Order No.	Version	Size	D	D1	D3	H	L
50-28-0	closed	201	12	50	52	6	23
50-28-1	closed	202	15	50	52	6	23
50-28-2	closed	204	20	50	52	6	23
50-28-3	closed	205	25	55	62	6	25
50-28-4	closed	206	30	64	72	6	30
50-28-5	closed	207	35	74,5	82	6	32
50-28-6	closed	208	40	84	88	6	37

Order No.	Version	Size	D	D1	D2	D3	H	L	L1
50-29-0	open	201	12	50	32	52	6	23	7

Overview of items

Order No.	Version	Size	D	D1	D2	D3	H	L	L1
50-29-1	open	202	15	50	32	52	6	23	7
50-29-2	open	204	20	50	32	52	6	23	7
50-29-3	open	205	25	55	37	62	6	25	7
50-29-4	open	206	30	64	42	72	6	30	7
50-29-5	open	207	35	74,5	45	82	6	32	7
50-29-6	open	208	40	84	50	88	6	37	7