

## Item description/product images



## Description

**Material:**

Stainless steel 1.4125

**Version:**

Bright.

**Note:**

Sealed both sides with non-contact seals.

Used in food and pharmaceutical industries and special machine construction.

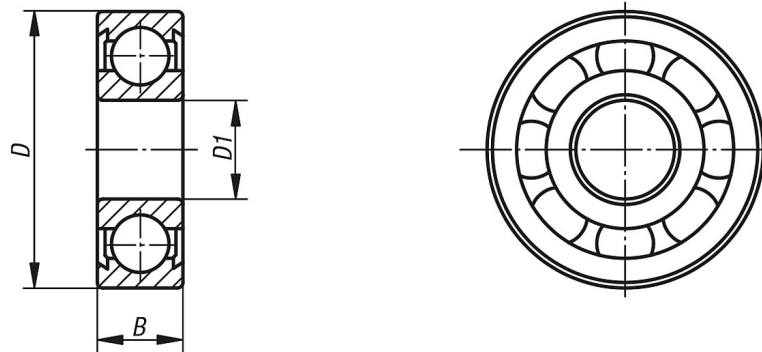
Good corrosion resistance.

**On request:**

Without sealing washer.

Without ball cage.

## Drawings



## Overview of items

Order No.	B	D	D1	Dynamic base loads kN	Static base loads kN	max. speed U/min
50-400-1	7	22	8	3,32	1,38	26.000
50-400-2	8	26	10	4,58	1,98	22.000
50-400-3	8	28	12	5,1	2,38	20.000
50-400-4	9	32	15	5,58	2,85	19.000
50-400-5	10	35	17	6	3,25	17.000
50-400-6	12	42	20	9,38	5,02	16.000
50-400-7	12	47	25	10	5,85	12.000
50-400-8	13	55	30	13,2	8,3	11.000