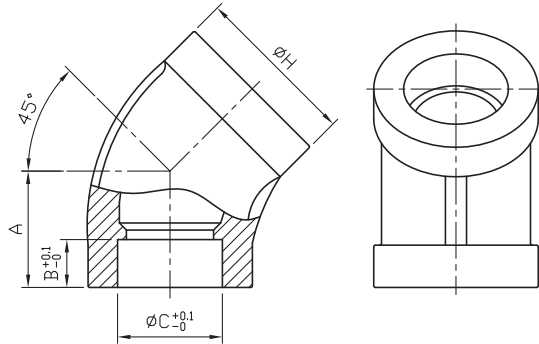


Elbow 45° sw

F37

Class 150



Standard Pattern

SIZE	1/8"		1/4"		3/8"		1/2"		3/4"		1"		1-1/4"		1-1/2"		2"		2-1/2"		3"		4"	
	mm	in	mm	in	mm	in	mm	in	mm	in	mm	in	mm	in	mm	in	mm	in	mm	in	mm	in	mm	in
A	15	0.59	16	0.63	18	0.71	20	0.79	24	0.94	27	1.06	31	1.22	34	1.34	39	1.54	46	1.81	52	2.05	63	2.48
B	8.1	0.32	8.1	0.32	8.1	0.32	8.1	0.32	9.4	0.37	11.2	0.44	12.7	0.5	12.7	0.5	14.2	0.56	14.2	0.56	14.2	0.56	17.5	0.69
C	11	0.43	14	0.55	17.5	0.69	22	0.87	27.3	1.07	34	1.34	43.3	1.7	49	1.93	61	2.4	73.5	2.89	89.8	3.54	115.5	4.55
H	16	0.63	18.4	0.72	22	0.87	29	1.14	32	1.26	42	1.65	48.4	1.91	57	2.24	70	2.76	88	3.46	101	3.98	127.6	5.02

Tolerance: $\pm 0.5\text{mm}$ (1/8"~2")
 $\pm 0.8\text{mm}$ (2-1/2"~4")

ISO 9001
BUREAU VERITAS
CERTIFICATION



MARQUE DÉPOSÉE
BUREAU VERITAS
CERTIFICATION



TRD
100



Type
Approval
P-13548

CE CRN
0035 REGISTERED



ATEX
II 2 GD

TA-Luft ISO 15848 REACH
VDI 2440 LOW EMISSION (EC 1907/2006)



8F., No.201, Sec. 2, Tiding Blvd., Neihu District, Taipei City 114, Taiwan R.O.C.
 TEL : +886-2-2658-5800 FAX : +886-2-2658-2266 / 2799-7766

[Http://www.haitima.com.tw](http://www.haitima.com.tw)
 E-mail : haitima@seed.net.tw