

Item description/product images



Description

Material:

Balls stainless steel 1.4021.

Housing stainless steel 1.4301.

Version:

Bright.

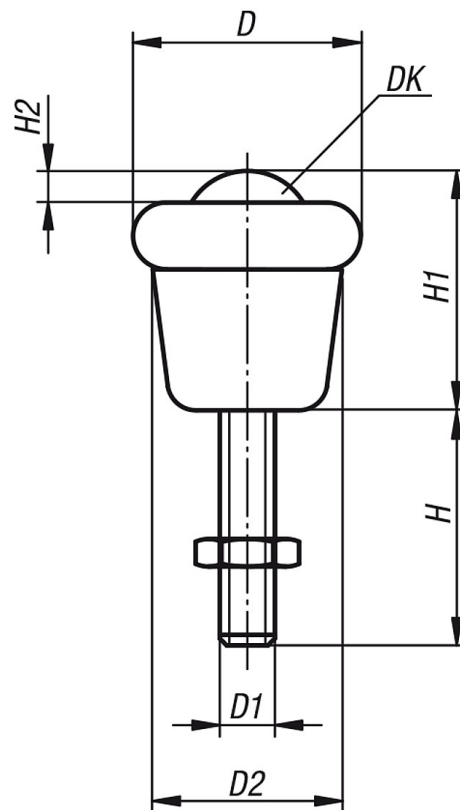
Note:

The ball transfer units has a large support area.

The stud fastening allows for high stability and heavy loading.

The formed wiper seal is external.

Drawings



Overview of items

Order No.	DK	D	D1	D2	H2	H	H1	Max. tightening torque MA (Nm)	Load rating C (N)
50-87-1	19	32,1	M8	25,4	4,7	20	30,2	15	250
50-87-2	19	32,1	M8	25,4	4,7	35	30,2	15	250

Overview of items
