

Item description/product images



Description

Material:

Balls stainless steel 1.4021.
Housing stainless steel 1.4301.

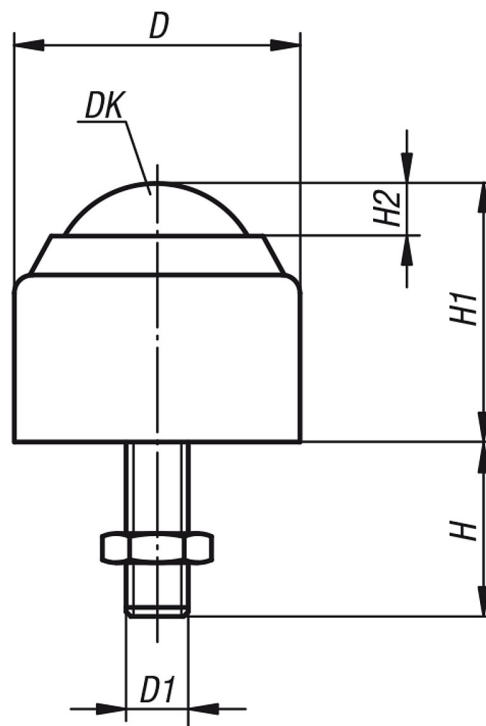
Version:

Bright.

Note:

The ball transfer units has a large support area.
The stud fastening allows for high stability and heavy loading.
The formed wiper seal is external.

Drawings



Overview of items

Order No.	DK	D	H1	H2	H	D1	Max. tightening torque MA (Nm)	Load rating C (N)
50-86-1	25,4	39,5	35,8	6,1	18	M8	15	1.000
50-86-2	25,4	39,5	35,8	6,1	28	M8	15	1.000