

Item description/product images



Description

Material:

Balls stainless steel 1.4021.
 Housing stainless steel 1.4301.

Version:

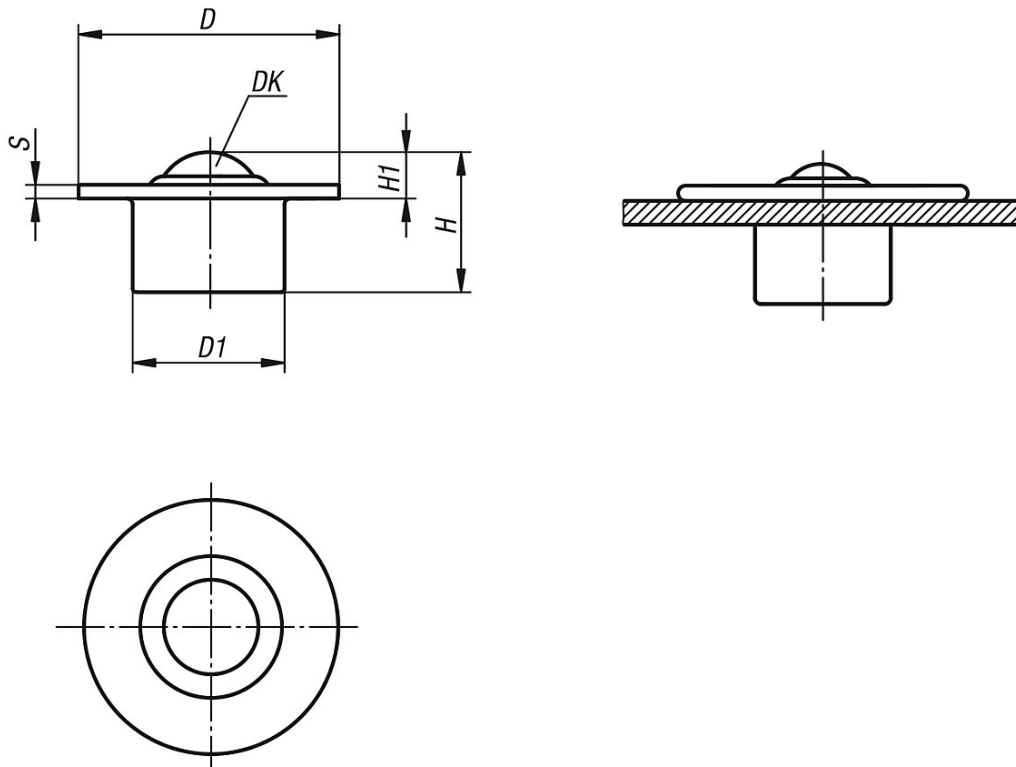
Bright.

Note:

These ball transfer units have a main bearing shell with self-cleaning aperture and a felt seal.

They can be used permanently in temperatures from -30 °C to +70 °C and for short periods up to 100 °C.

Drawings



Overview of items

Order No.	DK	D1	D	H	S	H1	Load rating C (N)
50-88-1	15,8	24 ±0,065	31	21	2,8	9,5	380
50-88-2	22,2	36 ±0,080	45	30	2,8	9,8	1.000
50-88-3	30	45 ±0,080	55	37	4	13,8	2.000
50-88-4	44,5	62 ±0,095	75	53,5	4	19	2.500

Overview of items
