

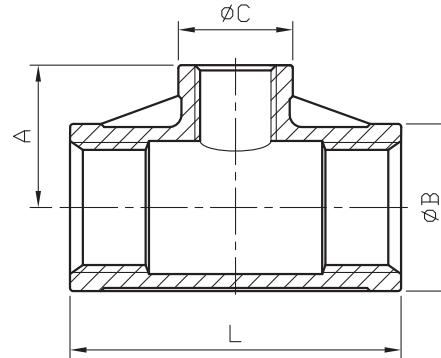
Reducing Tee

F44

Class 150

Standard Pattern

SIZE		A		B		C		L	
		mm	in	mm	in	mm	in	mm	in
1/4"	1/8"	18.5	0.73	18.5	0.73	15	0.59	39	1.54
3/8"	1/8"	21	0.83	22	0.87	18.5	0.73	44	1.73
	1/4"	21.5	0.85	22	0.87	18.5	0.73	44	1.73
1/2"	1/8"	23.5	0.93	28	1.1	15	0.59	53.5	2.11
	1/4"	23	0.91	28	1.1	18.5	0.73	53.5	2.11
	3/8"	25	0.98	28	1.1	22	0.87	53.5	2.11
3/4"	1/8"	26	1.02	33	1.3	15	0.59	59	2.32
	1/4"	25.5	1.00	33	1.3	18.5	0.73	59	2.32
	3/8"	27.5	1.08	33	1.3	22	0.87	59	2.32
	1/2"	30.5	1.2	33	1.3	28	1.1	59	2.32
1"	1/4"	30	1.18	40.5	1.59	18.5	0.73	70	2.76
	3/8"	31.5	1.24	40.5	1.59	22	0.87	70	2.76
	1/2"	34	1.34	40.5	1.59	27	1.06	70	2.76
	3/4"	36	1.42	40.5	1.59	33	1.3	70	2.76
1-1/4"	3/8"	36.5	1.44	49	1.93	22	0.87	86	3.39
	1/2"	38	1.5	49	1.93	28	1.1	86	3.39
	3/4"	40.5	1.59	49	1.93	33	1.30	86	3.39
1-1/2"	1"	42	1.65	49	1.93	40.5	1.59	86	3.39
	1/2"	42	1.65	56	2.2	28	1.1	89	3.5
	3/4"	44	1.73	56	2.2	33	1.3	89	3.5
	1"	46	1.81	56	2.2	40.5	1.59	89	3.5
	1-1/4"	49	1.93	56	2.2	49	1.93	89	3.5
2"	3/4"	49	1.93	68	2.68	33	1.3	108	4.25
	1"	53	2.09	68	2.68	40.5	1.59	108	4.25
	1-1/4"	55.5	2.19	68	2.68	49	1.93	108	4.25
	1-1/2"	56.5	2.22	68	2.68	56	2.2	108	4.25



Tolerance: $\pm 0.5\text{mm}$ (1/8"~2")

Taiwan
BUREAU VERITAS
Certification



HAI TIMA DESIGN
RECOGNITION
FOR QUALITY SYSTEM
CERTIFICATION



TRD
100



Type
Approval
P-13548

CE
0035

CRN
REGISTERED



ATEX
I2GD

TA-Luft
VDI 2440

ISO 15848
LOW EMISSION

REACH
(EC 1907/2006)

RoHS
2002/95/EC

6E-1017

8F., No.201, Sec. 2, Tiding Blvd., Neihu District, Taipei City 114, Taiwan R.O.C.
TEL : +886-2-2658-5800 FAX : +886-2-2658-2266 / 2799-7766

[Http://www.haitima.com.tw](http://www.haitima.com.tw)
E-mail : haitima@seed.net.tw