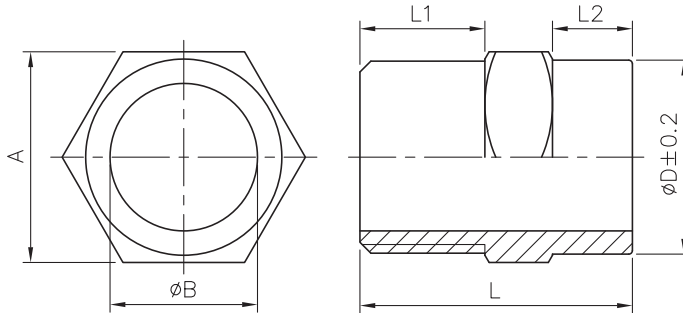


# WUP

# F49

## Class 150



### Standard Pattern

SIZE	1/4"		3/8"		1/2"		3/4"		1"		1-1/4"		1-1/2"		2"	
	mm	in	mm	in	mm	in	mm	in	mm	in	mm	in	mm	in	mm	in
A	15	0.59	18.5	0.73	23	0.91	29	1.14	35	1.38	45	1.77	50	1.97	62	2.44
B	7.8	0.31	11	0.43	15.4	0.61	20.3	0.8	26.2	1.03	34.6	1.36	39.5	1.56	51	2.01
D	13.7	0.54	17.14	0.67	21.34	0.84	26.7	1.05	33.4	1.31	42.2	1.66	48.3	1.9	60.3	2.37
L	30	1.18	31.3	1.23	36	1.42	37.5	1.48	42.5	1.67	49	1.93	53.5	2.11	55	2.17
L1	12.6	0.5	14.5	0.57	16.7	0.66	17.2	0.68	21.3	0.84	26.4	1.04	31.8	1.25	33.3	1.31
L2	11	0.43	11	0.43	11	0.43	11	0.43	11	0.43	10.5	0.41	10.5	0.41	10.5	0.41

Tolerance:  $\pm 0.5\text{mm}$  (1/4"~2")



8F., No.201, Sec. 2, Tiding Blvd., Neihu District, Taipei City 114, Taiwan R.O.C.  
 TEL : +886-2-2658-5800      FAX : +886-2-2658-2266 / 2799-7766

[Http://www.haitima.com.tw](http://www.haitima.com.tw)  
 E-mail : [haitima@seed.net.tw](mailto:haitima@seed.net.tw)