

Item description/product images



Description

Material:

Stainless steel 1.4305.

Neoprene seal.

Version:

Bright.

Note:

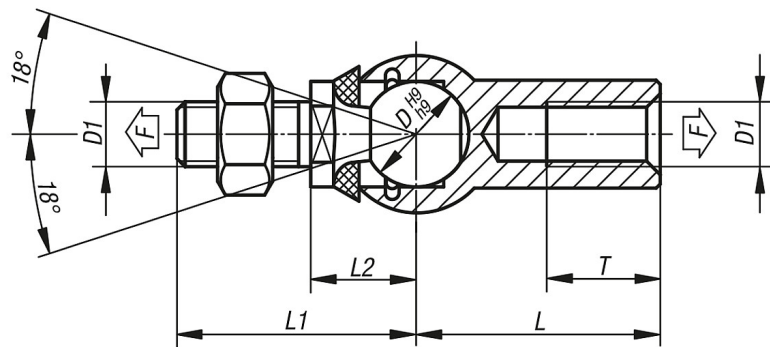
Protected against dust, dirt, water spray and vapour.

Applicable temperature range from -30 °C to +110 °C.

On request:

Stainless steel 1.4404

Drawings



Overview of items

Order No.	D	D1	L	L1	L2	T	Extraction force F in N
50-48-1	8	M5	22	19,2	9	10,2	30
50-48-2	10	M6	25	23,5	11	11,5	40
50-48-3	13	M8	30	29,5	13	14	60
50-48-4	16	M10	35	36	16	15,5	80