

## Item description/product images



## Description

## Material:

M5 housing stainless steel 1.4305.

Other housings stainless steel 1.4057.

Bearing shell stainless steel 1.4571.

Ball joint stainless steel 1.4034.

Bearing surface PTFE film on stainless steel insert.

## Version:

Polished

## Note:

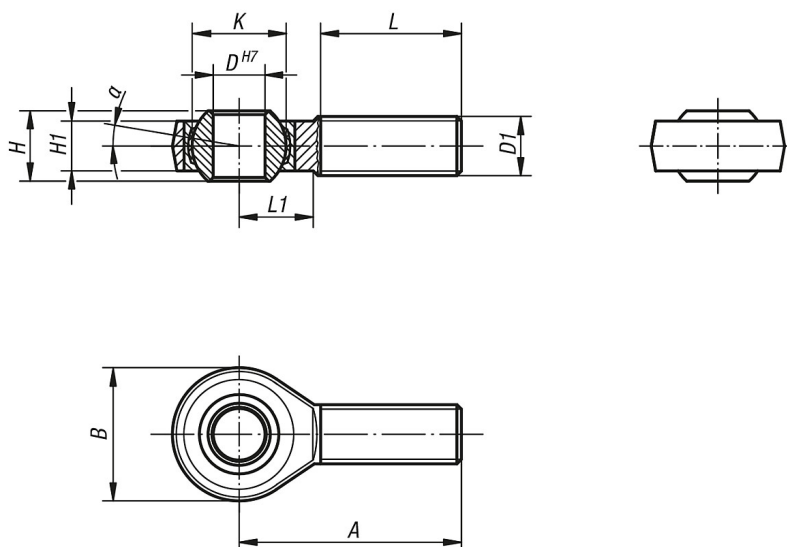
The rod end plain bearing is maintenance free.

The rod end plain bearing is maintenance free.

The fitting dimensions correspond to DIN ISO 12240-4 series K.

For applications with high dynamic push/pull loading in corrosion endangered areas.

## Drawings



## Overview of items

Order No.	Version	D	D1	A	B	H	H1	K	L	L1		Dynamic base loads kN	Static base loads kN
50-49-1	right-hand thread	5	M5	33	18	8	6	11,11	20	9	13°	7,5	6,2
50-49-2	right-hand thread	6	M6	36	20	9	6,75	12,7	22	12	13°	9,3	8,8
50-49-3	right-hand thread	8	M8	42	24	12	9	15,87	25	15	14°	16,7	16,1
50-49-4	right-hand thread	10	M10	48	28	14	10,5	19,05	29	15	13°	23,4	25,5
50-49-5	right-hand thread	12	M12	54	32	16	12	22,22	33	19	13°	32	34,5
50-49-6	right-hand thread	16	M16	66	42	21	15	28,57	40	22	15°	52,5	60,5

Order No.	Version	D	D1	A	B	H	H1	K	L	L1		Dynamic base loads kN	Static base loads kN
50-50-1	left-hand thread	5	M5	33	18	8	6	11,11	20	9	13°	7,5	6,2
50-50-2	left-hand thread	6	M6	36	20	9	6,75	12,7	22	12	13°	9,3	8,8
50-50-3	left-hand thread	8	M8	42	24	12	9	15,87	25	15	14°	16,7	16,1

**Overview of items**


---

Order No.	Version	D	D1	A	B	H	H1	K	L	L1	Dynamic base loads kN	Static base loads kN	
<b>50-50-4</b>	left-hand thread	10	M10	48	28	14	10,5	19,05	29	15	13°	23,4	25,5
<b>50-50-5</b>	left-hand thread	12	M12	54	32	16	12	22,22	33	19	13°	32	34,5
<b>50-50-6</b>	left-hand thread	16	M16	66	42	21	15	28,57	40	22	15°	52,5	60,5