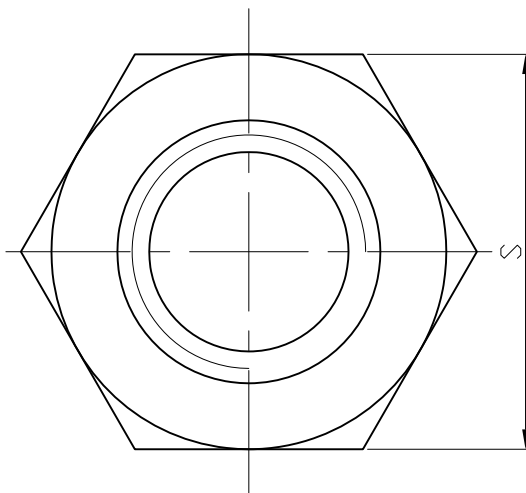
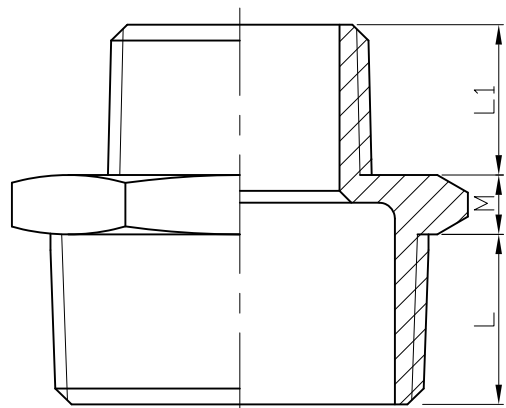


Reducing Nipple

±0.1 0.5~5	▽	Ra
±0.2 6~30	▽	0.2
±0.3 31~120	▽	1.6
±0.5 121~320	▽	6.3
±0.8 321~1000	▽	25
GENERAL TOLERANCE		JIS

HAITIMA CORPORATION
 P.O.BOX 34-36 TAIPEI
 Tel:+886-2-26585800
 E-mail:haitima@seed.net.tw
 TAIWAN R.O.C. www.haitima.com.tw
 Fax:+886-2-26582266



1/8"~2" Hexagon
 2-1/2"~4" Octagon

DN	M	L	L1	S	
8	6	4.5	11.5	9	15
10	6	5.5	12	9	18
	8	5.5	12	11.5	18
15	8	5.5	15.5	11.5	23
	10	5.5	15.5	12	23
20	10	6	16.5	12	29
	15	6	16.5	15.5	29
25	15	7	19	15.5	35
	20	7	19	16.5	35
32	20	7.5	22	16.5	45
	25	7.5	22	19	45
40	25	7.5	22	19	50
	32	7.5	22	22	50
50	32	8	26.5	22	62
	40	8	26.5	22	62
65	40	8.5	29	22	78
	50	8.5	29	26.5	78
80	50	9	32	26.5	91
	65	9	32	29	91
100	65	10	38	29	117
	80	10	38	32	117

unit:mm

NPS	M	L	L1	S	
1/4"	1/8"	0.18	0.45	0.35	0.59
3/8"	1/8"	0.22	0.47	0.35	0.71
	1/4"	0.22	0.47	0.45	0.71
1/2"	1/4"	0.22	0.61	0.45	0.91
	3/8"	0.22	0.61	0.47	0.91
3/4"	3/8"	0.24	0.65	0.47	1.14
	1/2"	0.24	0.65	0.61	1.14
1"	1/2"	0.28	0.75	0.61	1.38
	3/4"	0.28	0.75	0.65	1.38
1-1/4"	3/4"	0.3	0.87	0.65	1.77
	1"	0.3	0.87	0.75	1.77
1-1/2"	1"	0.3	0.87	0.75	1.97
	1-1/4"	0.3	0.87	0.87	1.97
2"	1-1/4"	0.31	1.04	0.87	2.44
	1-1/2"	0.31	1.04	0.87	2.44
2-1/2"	1-1/2"	0.33	1.14	0.87	3.07
	2"	0.33	1.14	1.04	3.07
3"	2"	0.35	1.26	1.04	3.58
	2-1/2"	0.35	1.26	1.14	3.58
4"	2-1/2"	0.39	1.5	1.14	4.61
	3"	0.39	1.5	1.26	4.61

unit:in

Tolerance : ±0.5mm(1/8"~2")
 ±0.8mm(2-1/2"~4")

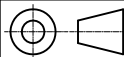
*ISO 4144

△			
△			
△			
Revise	Description	Date	Approve
DRAWING NO.		-15	



HAITIMA CORPORATION

CHECK BY	DRAWING BY	DATE	SPECIFICATION	Reducing Nipple
	Yuan	Aug.20,2015	MATERIAL	304/316
			PROCESS/Nr.	
			UNIT / SCALE	mm



107