

Item description/product images



Description

Material:

Housings stainless steel 1.4057.

Bearing shell stainless steel 1.4571.

Ball joint stainless steel 1.4034.

Bearing surface PTFE film on stainless steel insert.

Version:

Polished.

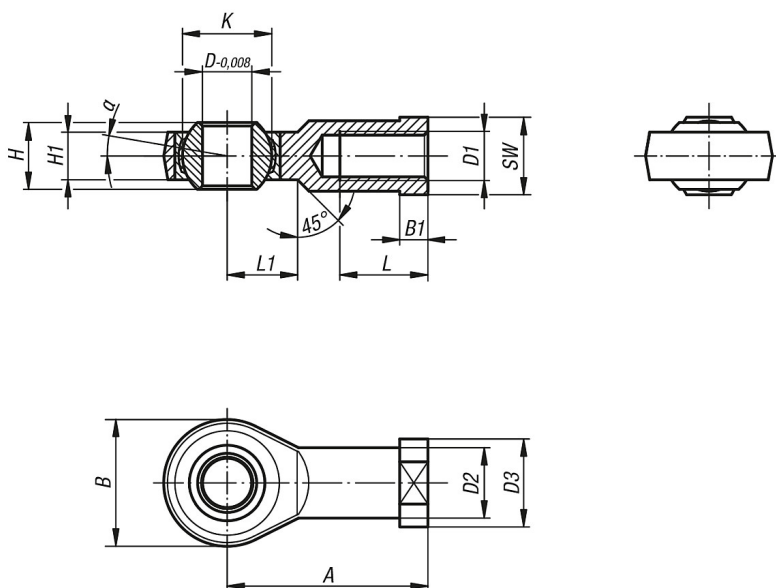
Note:

The rod end plain bearing is maintenance free.

The fitting dimensions correspond to DIN ISO 12240-4 series E.

Suitable for unidirectional loads, small installation spaces and corrosion endangered areas.

Drawings



Overview of items

Order No.	Version	D	D1	D2	D3	A	B	B1	H	H1	K	L	L1	SW	Dynamic base loads kN	Static base loads kN	
50-55-1	right-hand thread	6	M6	10	13	30	20	5	6	4,4	10	12	11	11	13°	4	6
50-55-2	right-hand thread	8	M8	12,5	16	36	24	5	8	6	13	16	12	14	15°	7	9,2
50-55-3	right-hand thread	10	M10	15	19	43	28	6,5	9	7	16	20	13	17	12°	10	13,6
50-55-4	right-hand thread	12	M12	17,5	22	50	34	6,5	10	8	18	22	15	19	11°	14	18
50-55-5	right-hand thread	16	M16	24	30	67	46	8	14	11	25	33	20	27	10°	39	34

Order No.	Version	D	D1	D2	D3	A	B	B1	H	H1	K	L	L1	SW	Dynamic base loads kN	Static base loads kN	
50-56-1	left-hand thread	6	M6	10	13	30	20	5	6	4,4	10	12	11	11	13°	4	6
50-56-2	left-hand thread	8	M8	12,5	16	36	24	5	8	6	13	16	12	14	15°	7	9,2
50-56-3	left-hand thread	10	M10	15	19	43	28	6,5	9	7	16	20	13	17	12°	10	13,6
50-56-4	left-hand thread	12	M12	17,5	22	50	34	6,5	10	8	18	22	15	19	11°	14	18

Overview of items

Order No.	Version	D	D1	D2	D3	A	B	B1	H	H1	K	L	L1	SW	Dynamic base loads kN	Static base loads kN	
50-56-5	left-hand thread	16	M16	24	30	67	46	8	14	11	25	33	20	27	10°	39	34